

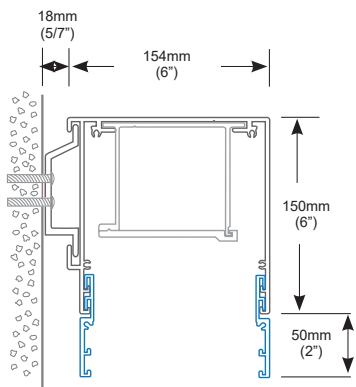
Pelmets

The aluminium extruded pelmet accommodates the head box, slats and base rail. Pelmets are top-fixed or face-fixed and supplied with end plates.

Horiso pelmets:

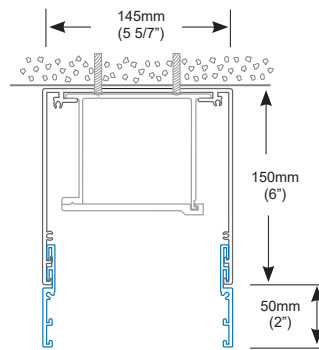
- Come in extruded aluminium 3 mm (1/8") 25 micron clear anodised
- Are powder-coated in standard or custom colours
- Offer pelmet/fascia extensions in 50 mm (2") increments
- Have fixing spacing that is subject to site structure and cannot exceed 600 mm (23 5/8")
- Offer custom pelmet/fascia solutions

Face fix pelmet / fascia



■ : Extension

Top fix pelmet / fascia



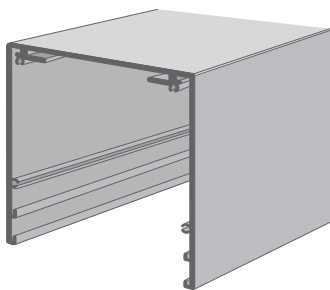
Pelmet / fascia weight in Kgs

Extension Qty	Weight / metre
0	4.5 Kgs
1	6.1 Kgs
2	7.7 Kgs
3	9.3 Kgs

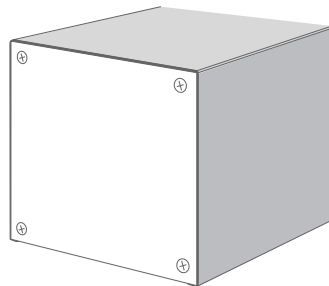
Pelmet / fascia weight in Lbs

Extension Qty	Weight / feet
0	3.02 Lbs
1	4.10 Lbs
2	5.18 Lbs
3	6.23 Lbs

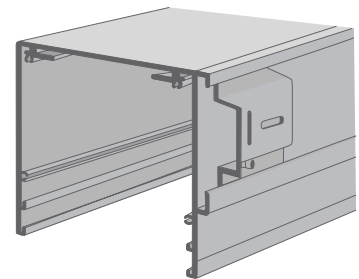
Pelmet Variations



Top fix pelmet/fascia



Top fix pelmet/fascia with end plate



Face fix pelmet/fascia

horiso[®]

E: info@horiso.com.au | T: +612 8755 4500

horiso.com.au