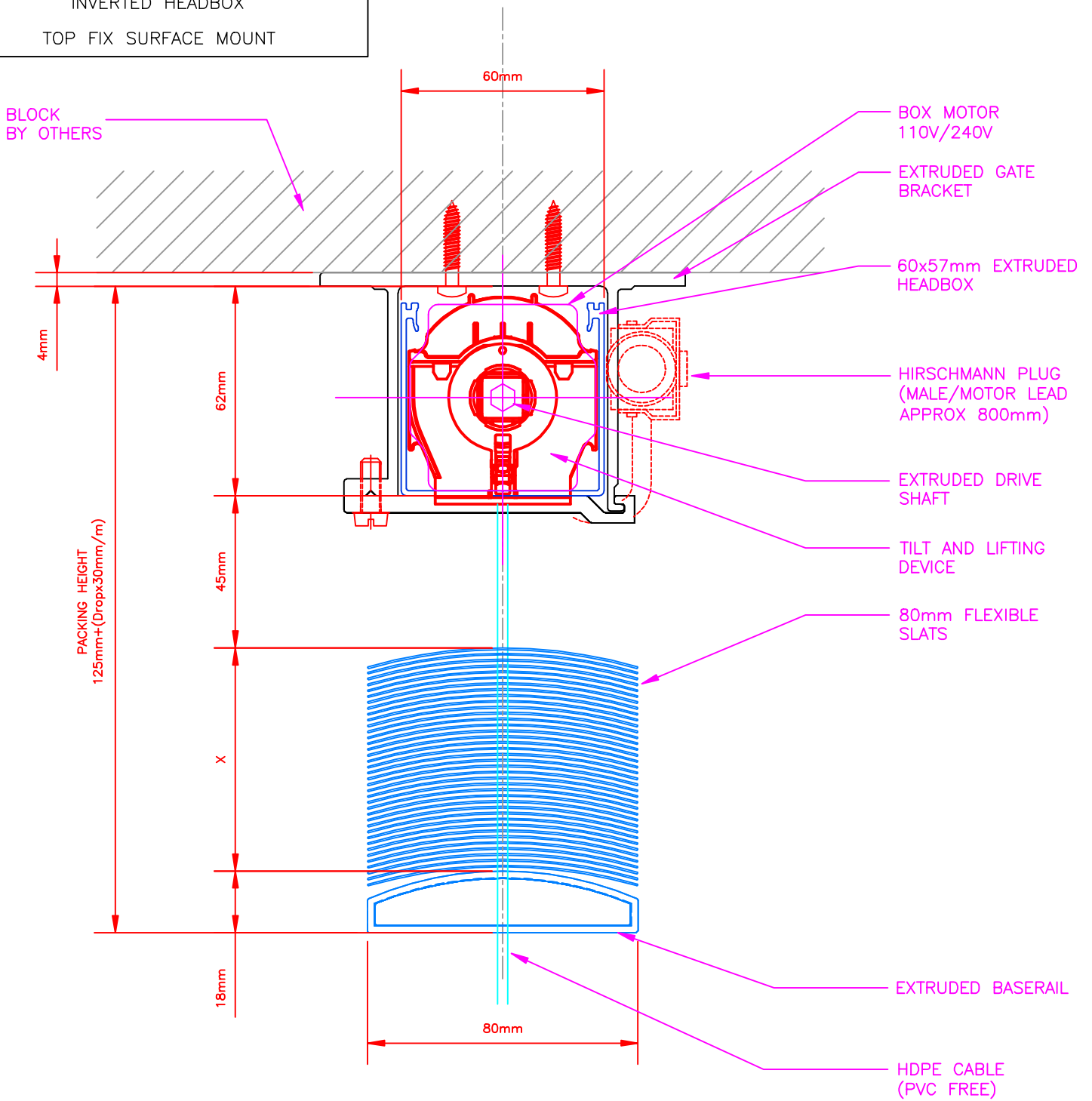


HORISO EVB 80 N

INVERTED HEADBOX
TOP FIX SURFACE MOUNT



INSATALLATION CONDITION: TOP FIX SURFACE MOUNT				BLIND TYPE Horiso EVB 80 N		horiso [®]		www.horiso.com	
REV	DESCRIPTION	DATE	APPROVED	DRAWN: SHUANG XU				APPROVED SIGNATURE	
A	INITIAL DRAWING	01/06/12	NK						
				SIZE:	FSCM NO:	DWG NO: 20120601-1-4	REV A	T: (61 2) 8755 4500	
				SCALE:	DATE: 01/06/12	SHEET		F: (61 2) 8755 4555	