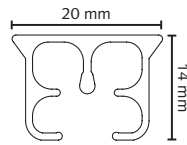


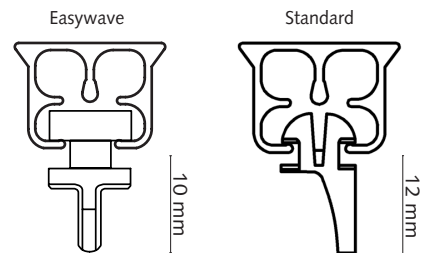
PRODUCT INFORMATION

- Aluminium Extrusion
- Weight: 202 grams per meter
- Dimensions: 14 mm x 20 mm
- Bendable; using a 10cm radius or as a continuous curve
- Colours available: White
- Track finish: chromated powder coating with a factory applied patented dry lubricant
- Warranty: 10 years

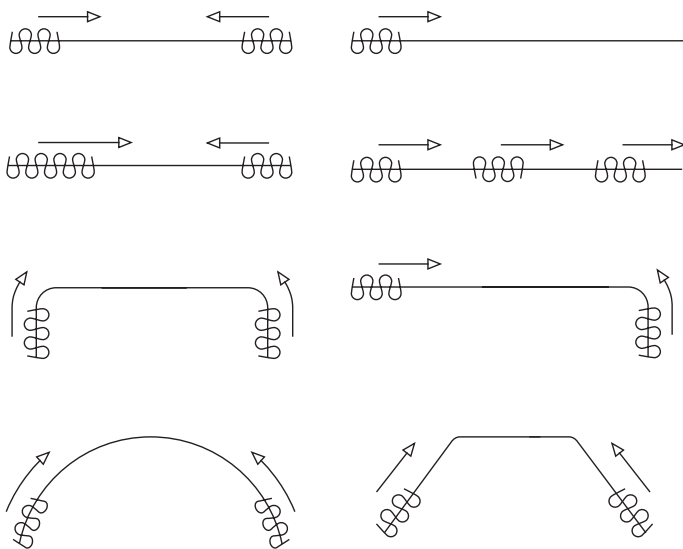


BENDING / CURVING

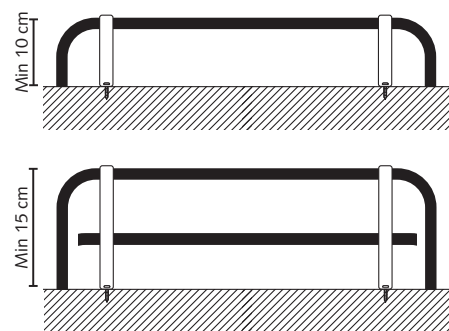
The track can be bent as well as continuously curved.



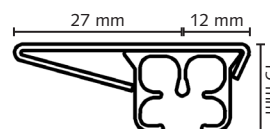
APPLICATIONS



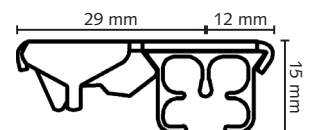
MOUNTING BRACKETS



Ceiling Bracket

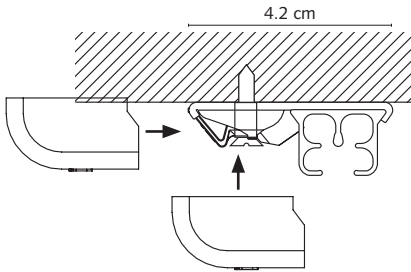


Smart Klick Ceiling Bracket

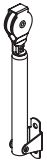


ACCESSORIES

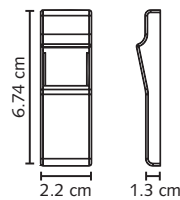
SK Ceiling Bracket



Tension Pulley

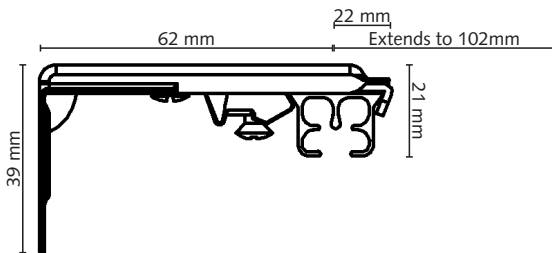


Smart Klick Cover Cap for Aluminium Wall bracket

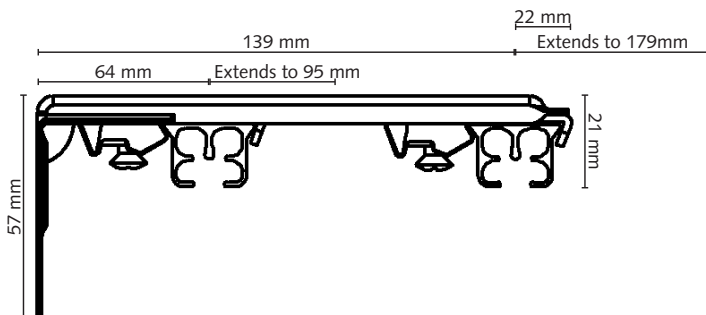


ADJUSTABLE WALL BRACKETS

Single Adjustable Wall Bracket

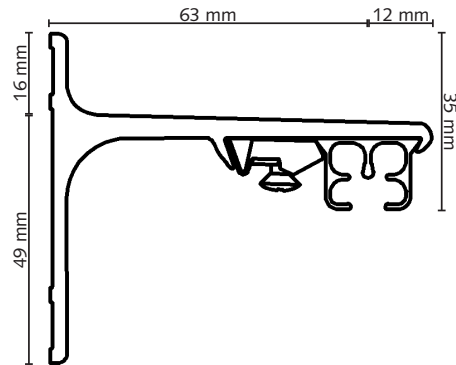


Double Adjustable Wall Bracket

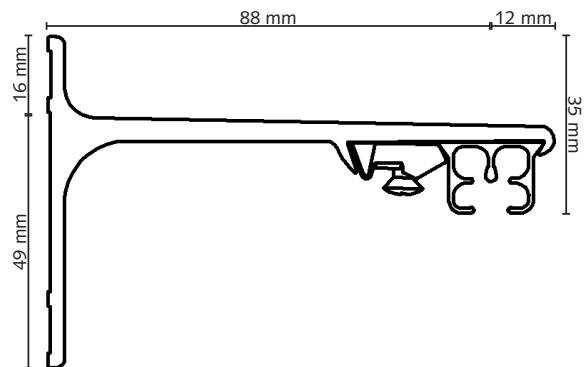


ALUMINIUM WALL BRACKETS

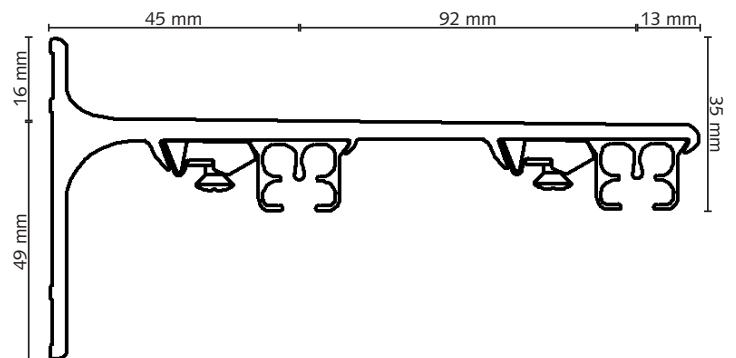
Aluminium Wall Bracket 7.5 cm



Aluminium Wall Bracket 10 cm



Aluminium Wall Bracket 15 cm Double



*Aluminium Wall Bracket 20 cm Double available

