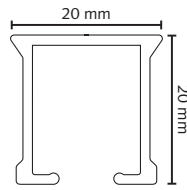


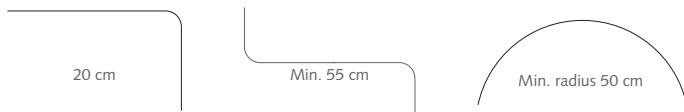
PRODUCT INFORMATION

- Aluminium Extrusion
- Weight: 235 grams per meter
- Dimensions: 20 mm x 20 mm
- Bendable; using a 20cm radius or as a continuous curve
- Colours available: White, Black
- Track finish: chromated powder coating with a factory applied patented dry lubricant
- Warranty: 10 years

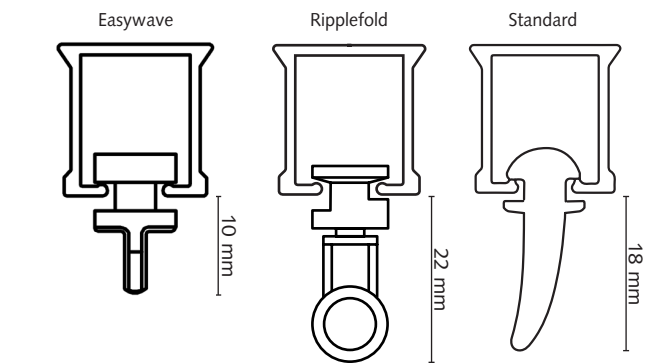
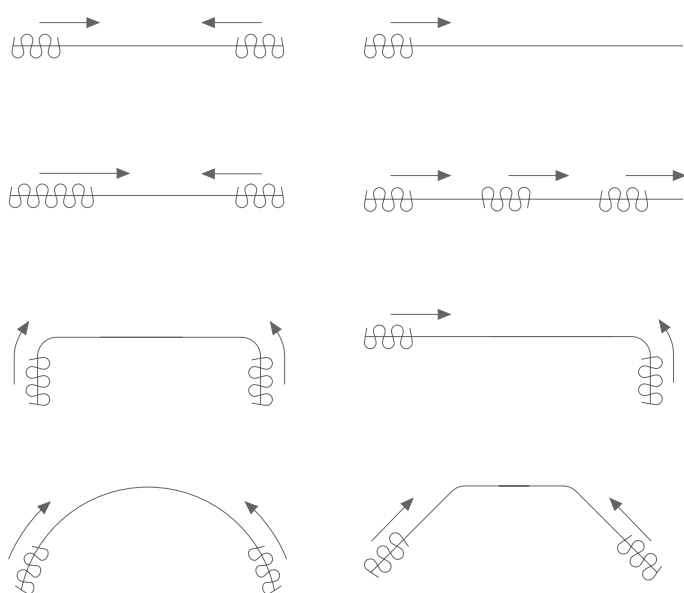


BENDING / CURVING

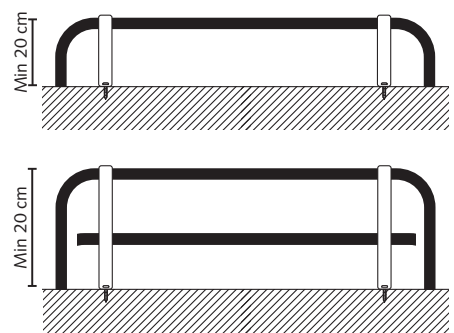
The track can be bent, reverse bent as well as continuously curved.



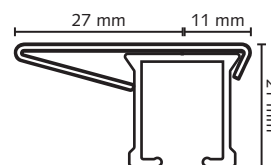
APPLICATIONS



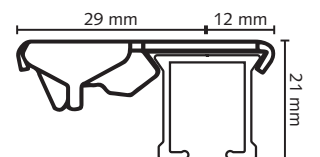
MOUNTING BRACKETS



Ceiling Bracket

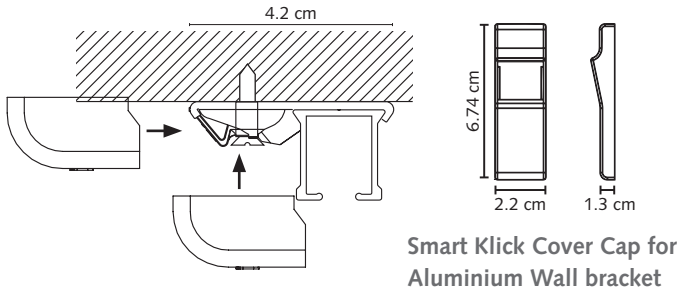


Smart Klick Ceiling Bracket

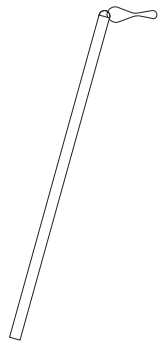


ACCESSORIES

Smart Click Ceiling Bracket



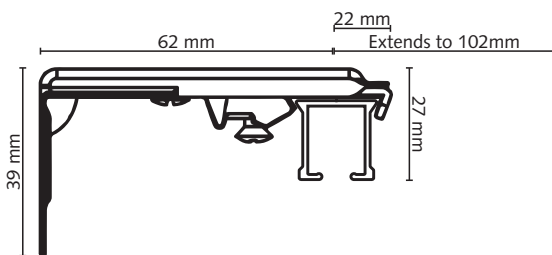
Flicksticks



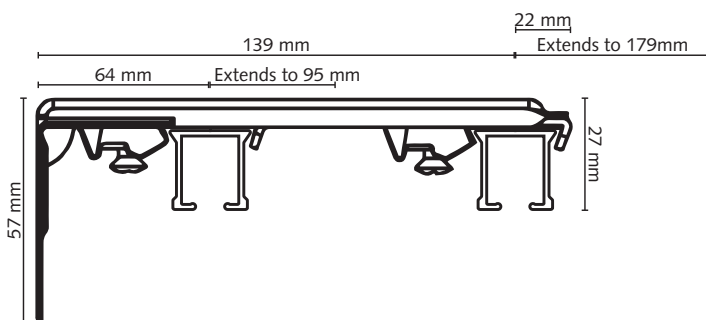
- KS Flicksticks Fibreglass available in 92cm, 122cm, 152cm
- KS Flicksticks Transparent available in 92cm, 122cm, 152cm

ADJUSTABLE WALL BRACKETS

Single Adjustable Wall Bracket

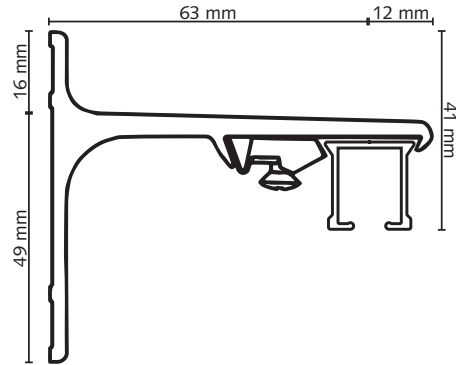


Double Adjustable Wall Bracket

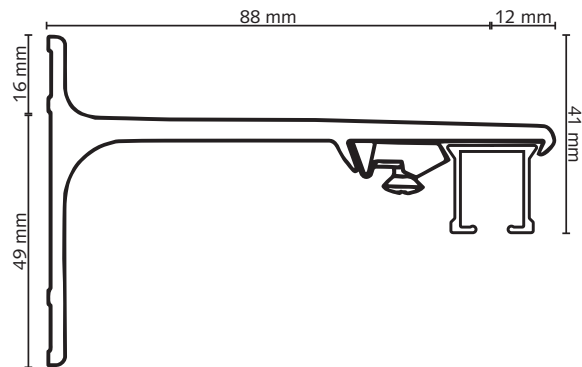


ALUMINIUM WALL BRACKETS

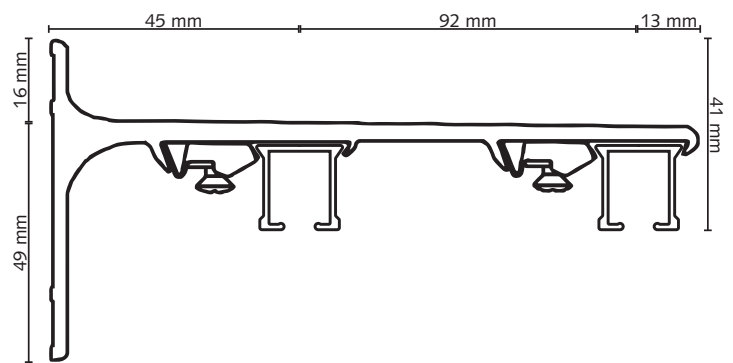
Aluminium Wall Bracket 7.5 cm



Aluminium Wall Bracket 10 cm



Aluminium Wall Bracket 15 cm Double



Aluminium Wall Bracket 20 cm Double

