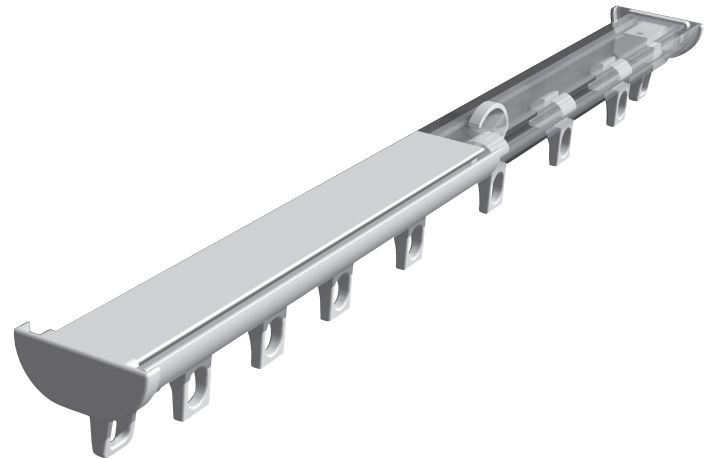
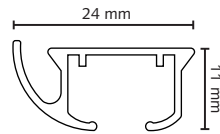


PRODUCT INFORMATION

- Aluminium Extrusion
- Weight: 170 grams per meter
- Dimensions: 11 mm x 24 mm
- Bendable; using a 10cm radius or as a continuous curve
- Colours available: White, Black
- Track finish: chromated powder coating with a factory applied patented dry lubricant
- Warranty: 10 years

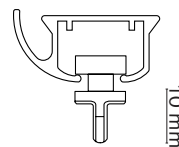


BENDING / CURVING

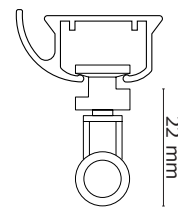
The track can bent and continuously curved.



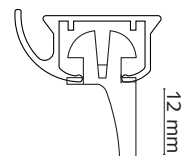
Easywave



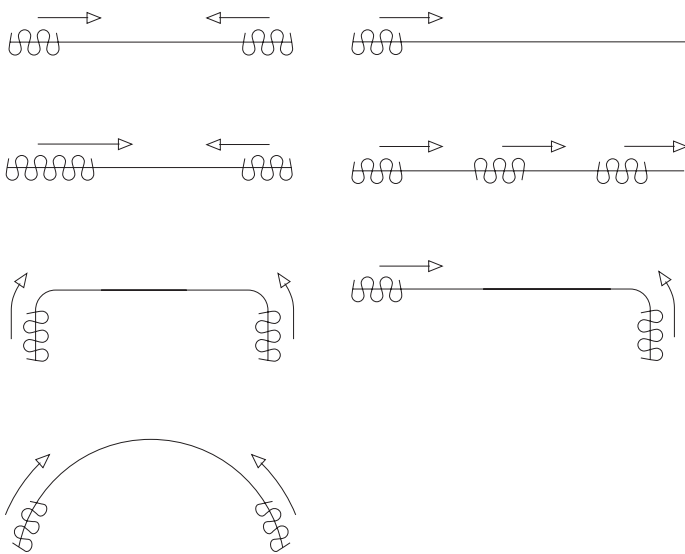
Ripplefold



Standard

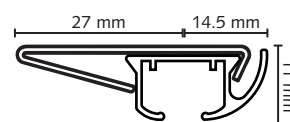


APPLICATIONS

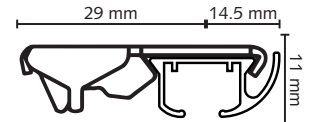


MOUNTING BRACKETS

Ceiling Bracket

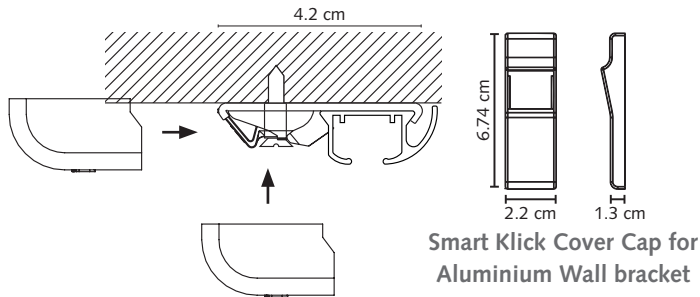


Smart Klick Ceiling Bracket



ACCESSORIES

SK Ceiling Bracket



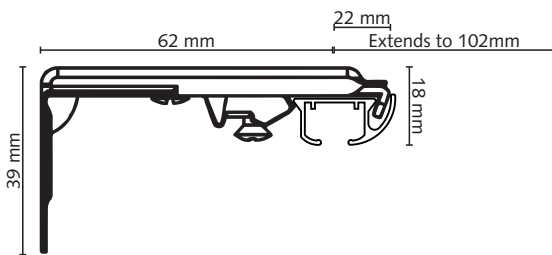
Flicksticks



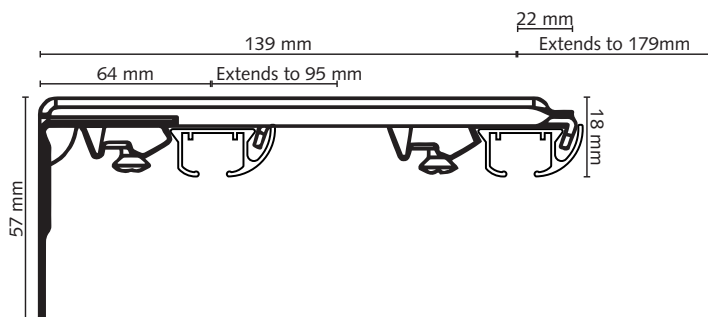
- KS Flicksticks Fibreglass available in 92cm, 122cm, 152cm
- KS Flicksticks Transparent available in 92cm, 122cm, 152cm

ADJUSTABLE WALL BRACKETS

Single Adjustable Wall Bracket

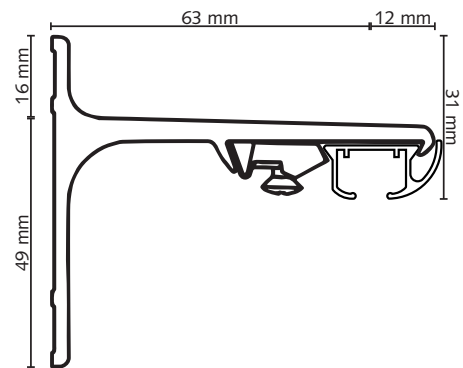


Double Adjustable Wall Bracket

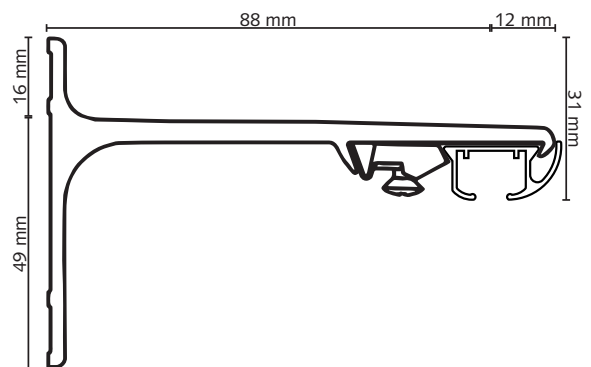


ALUMINIUM WALL BRACKETS

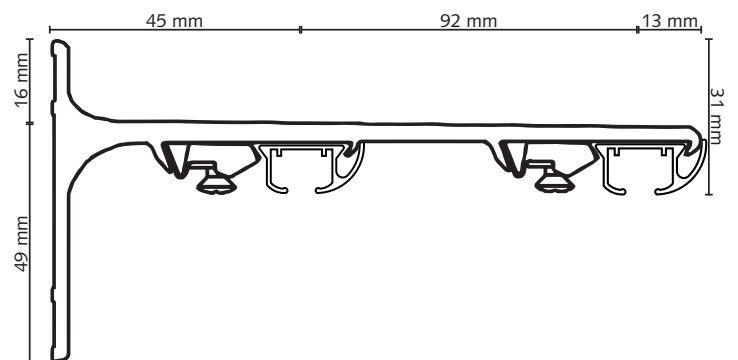
Aluminium Wall Bracket 7.5 cm



Aluminium Wall Bracket 10 cm



Aluminium Wall Bracket 15 cm Double



*Aluminium Wall Bracket 20 cm Double available

