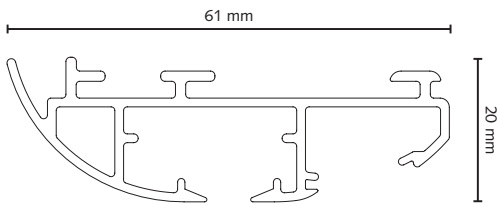
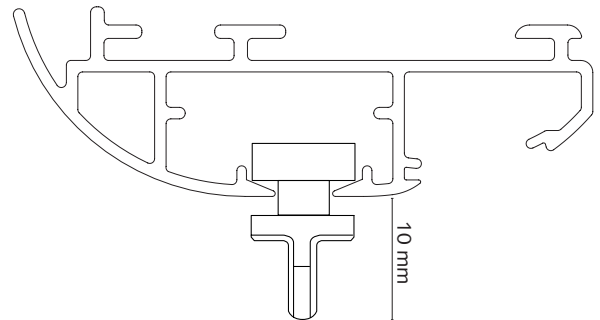


PRODUCT INFORMATION

- Aluminium Extrusion
- Weight: 580 grams per meter
- Dimensions: 61 mm x 20 mm
- Supplied with one dimmable led strip.
- LED colour temperature: warm white 3000
- Power: 15 watt/m
- Colours available: White, Anthracite
- Track finish: chromated powder coating with a factory applied patented dry lubricant
- Warranty: 10 years (Excluding LED)

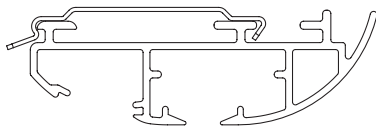


Easywave

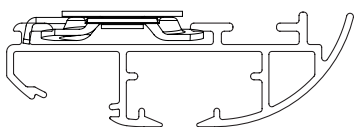


MOUNTING BRACKETS

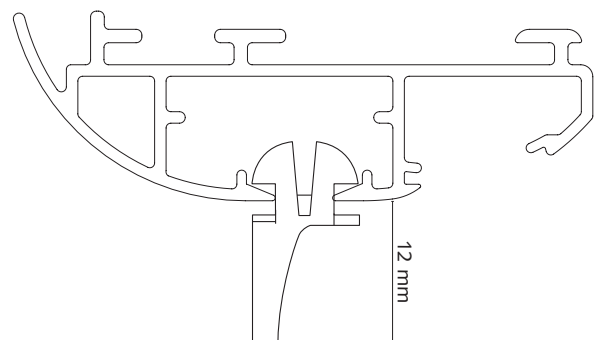
Klick Ceiling Bracket



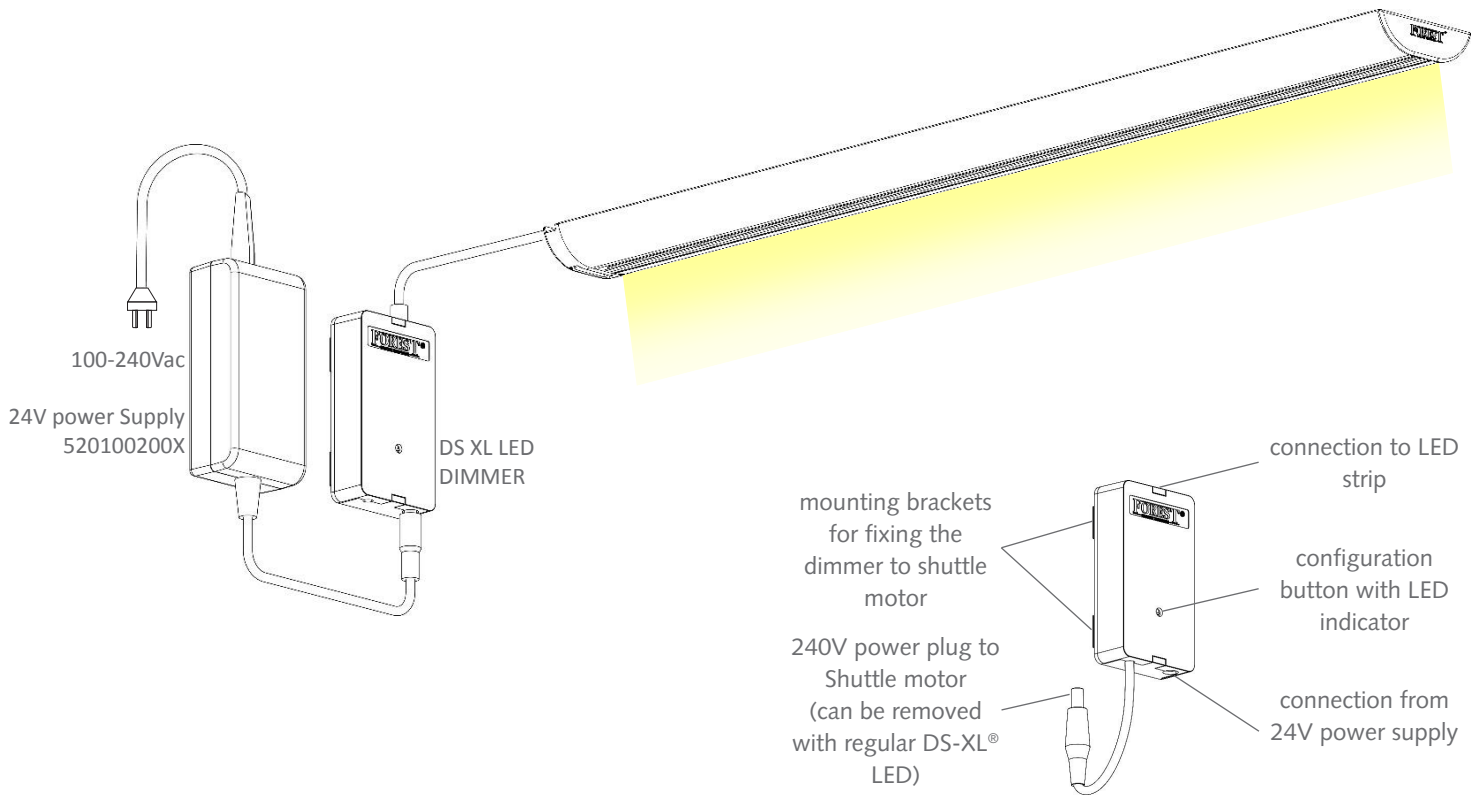
Ceiling Swivel Bracket



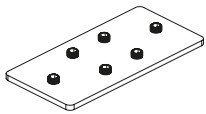
Standard



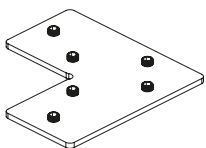
ACCESSORIES



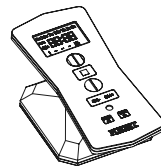
DS-XL TRACK CONNECTOR STRAIGHT



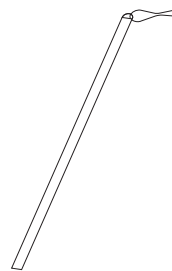
DS-XL TRACK CONNECTOR 90 DEGREES



DIAMOND SENSE REMOTE CONTROL



Flicksticks



Flicksticks Fibreglass available in 92cm, 122cm, 152cm
Flicksticks Transparent available in 92cm, 122cm, 152cm

