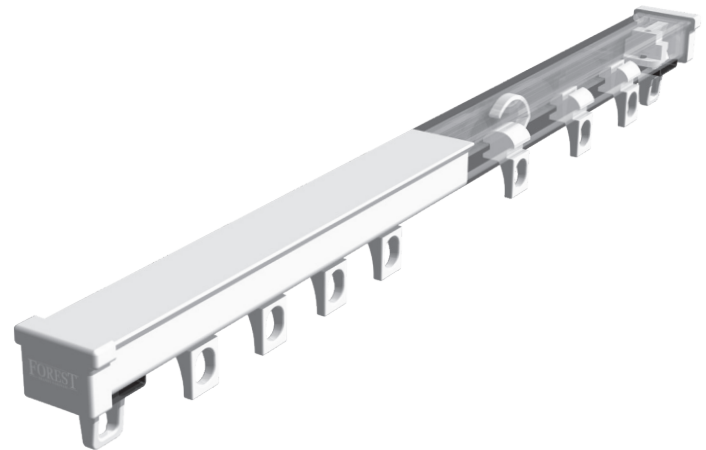
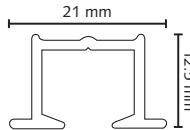
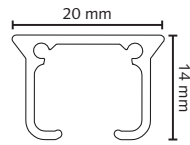


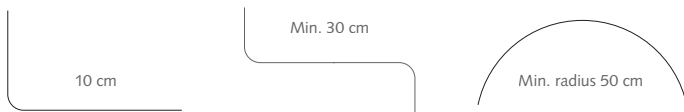
## PRODUCT INFORMATION

- Aluminium Extrusion
- Weight: 150 grams per meter
- Dimensions: 14 mm x 20 mm
- Bendable; using a 10cm radius or as a continuous curve
- Colours available: White, Black
- Track finish: chromated powder coating with a factory applied patented dry lubricant
- Warranty: 10 years

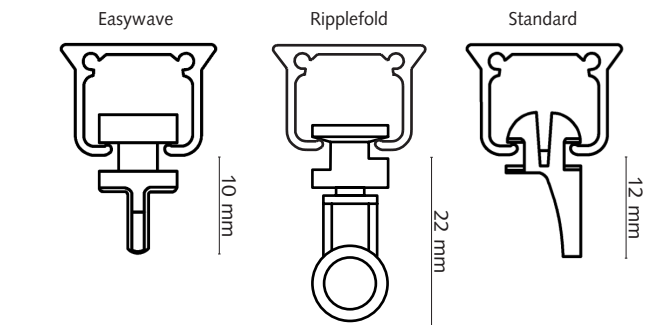
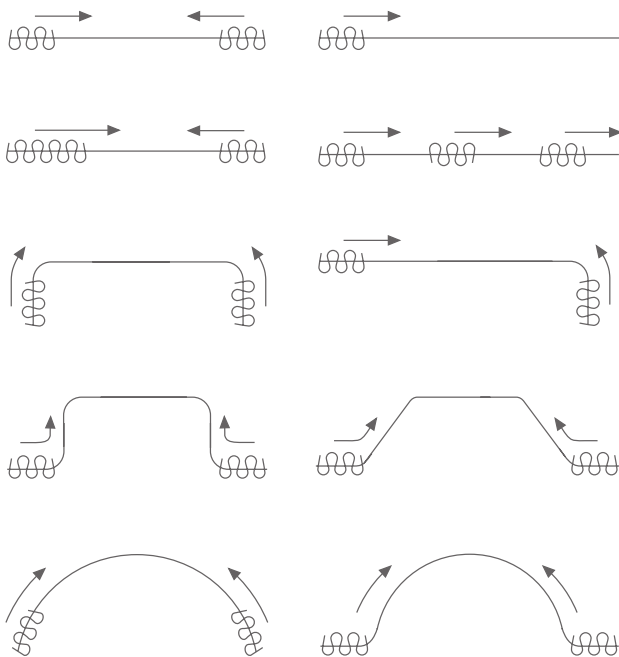


## BENDING / CURVING

The track can be bent, reverse bent as well as continuously curved.



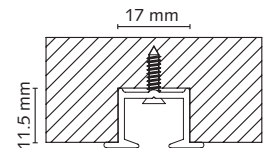
## APPLICATIONS



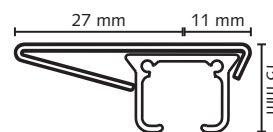
## MOUNTING BRACKETS



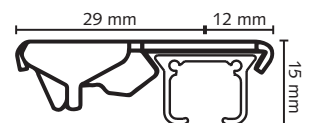
KS Recess



Ceiling Bracket

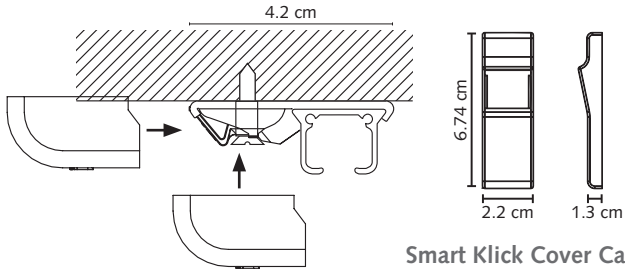


Smart Klick Ceiling Bracket



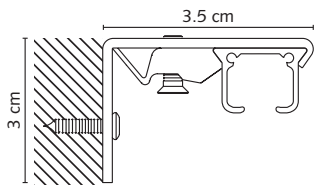
## ACCESSORIES

### Smart Click Ceiling Bracket



Smart Klick Cover Cap for  
 Aluminium Wall bracket

### Wall Bracket



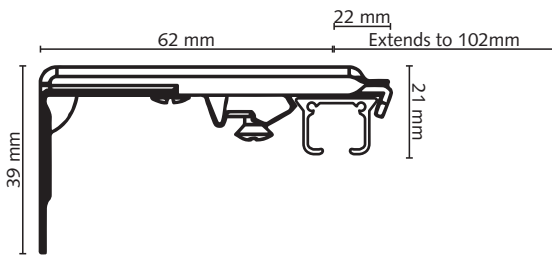
### Flicksticks



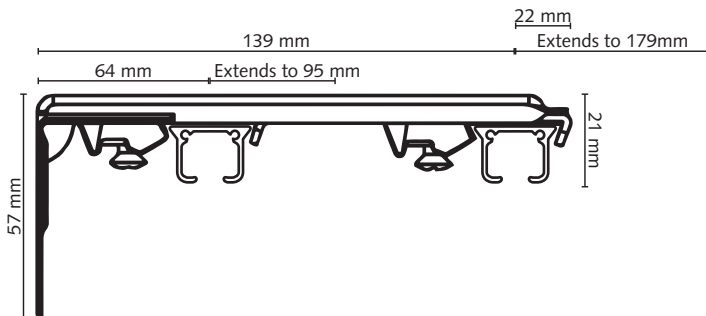
- KS Flicksticks Fibreglass available in 92cm, 122cm, 152cm
- KS Flicksticks Transparent available in 92cm, 122cm, 152cm

## ADJUSTABLE WALL BRACKETS

### Single Adjustable Wall Bracket

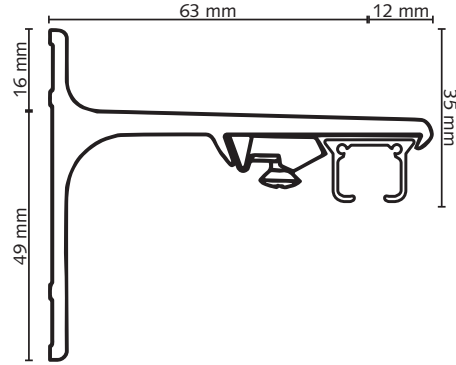


### Double Adjustable Wall Bracket

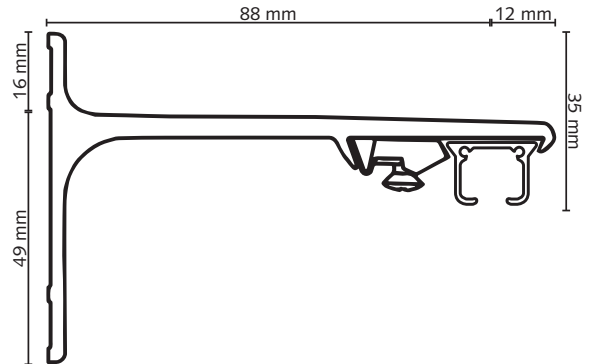


## ALUMINIUM WALL BRACKETS

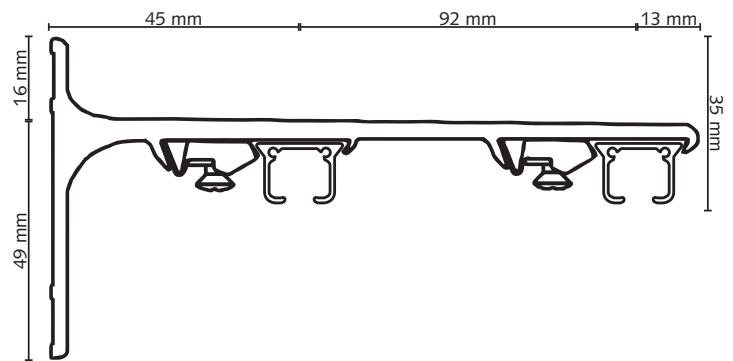
### Aluminium Wall Bracket 7.5 cm



### Aluminium Wall Bracket 10 cm



### Aluminium Wall Bracket 15 cm Double



### Aluminium Wall Bracket 20 cm Double

