



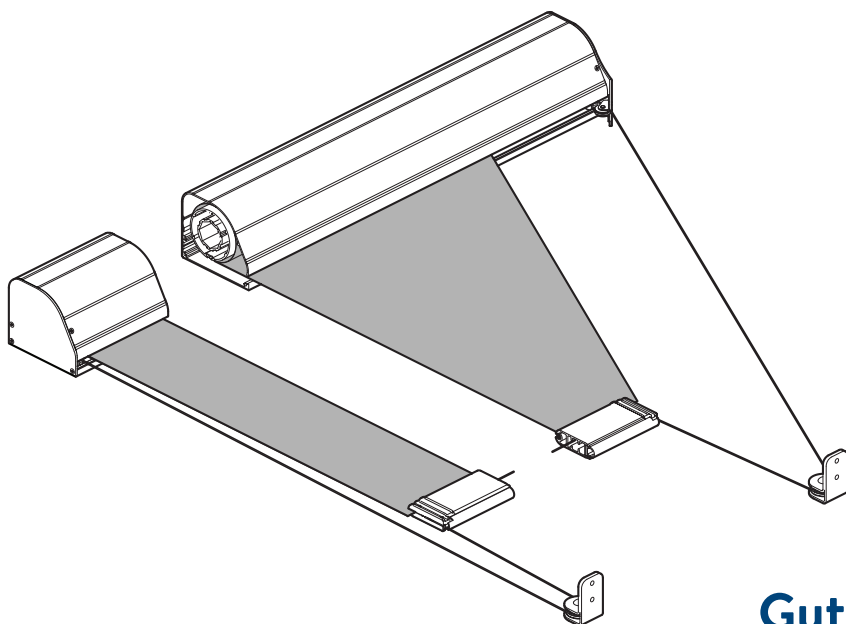
# TESS601 DATASHEET

## COMPACT TRIANGULAR TENSION SYSTEM

Stylish solution for triangular glazing. Flat or curved.

Modern glazing design is anything but square. The TESS 601 covers corners and right-angled triangles and can even follow curves with the use of relieving rollers. The compact headbox makes it easy to design into the glazing surround, inside or out, for near invisibility when retracted. Unlimited colour finishes and a wide range of fabrics make it suitable for any project. Our single barrel mechanism keeps the fabric constantly under tension and produces a smooth, quiet travel.

- Compact single barrel system
- 90° triangles and corners
- Angles and curves
- Ultra-quiet motor
- Reliable and robust



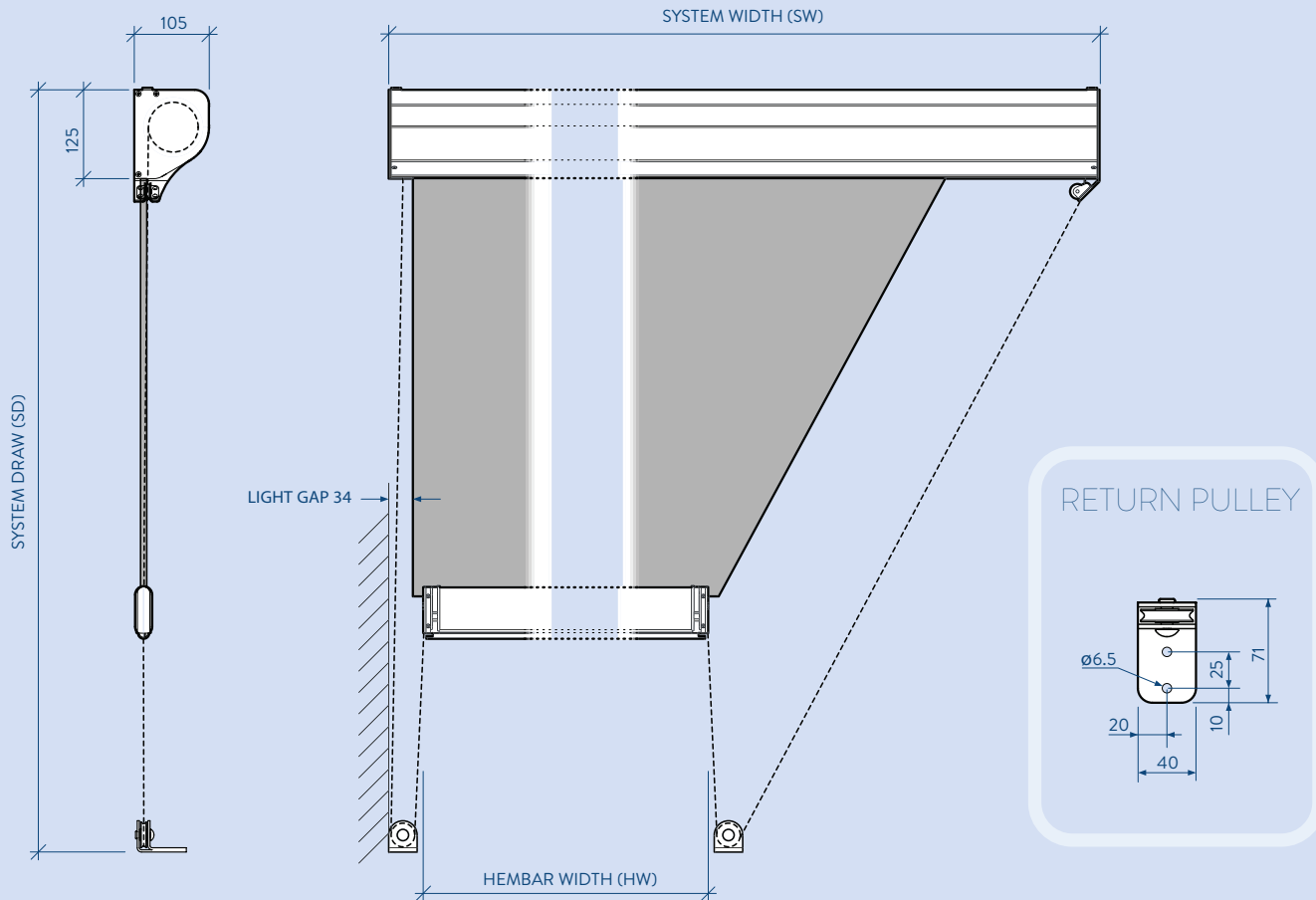
**Guthrie Douglas**

Guthrie Douglas Shading Tension Systems are distributed in Australia and New Zealand by Horiso®

Horiso®

T: +61 2 8755 4500 E: [info@horiso.com.au](mailto:info@horiso.com.au)  
[horiso.com.au](http://horiso.com.au)

horiso®



## KEYFACTS

Typical use	Flat, curved or sloped glazing
Shape	Right angled triangle
Running direction	Any
Guides	None
Width	650 mm - 3000 mm
Draw	≤3000 mm
Fabric area	≤9 m <sup>2</sup>
Brackets	Aluminium
Relieving rollers	Aluminium
Finish	RAL Powder coat
Installation options	Top, back

## TECHNICALINFO

Fabric tension	>100 N
Weight exc. fabric	~8 kg + 4 kg/m width
Fixing load	≤15 kg per bracket
Operating temp.	0 to 55 °C
Motor	9 Nm, 12 rpm
Electrical	230 V, 50 Hz, 120 W, 0.55A
	120 V, 60 Hz, 130 W, 0.98A
Max run time	4 min
Fabric speed	~3 m/min
Controls	Radio, Wired

