



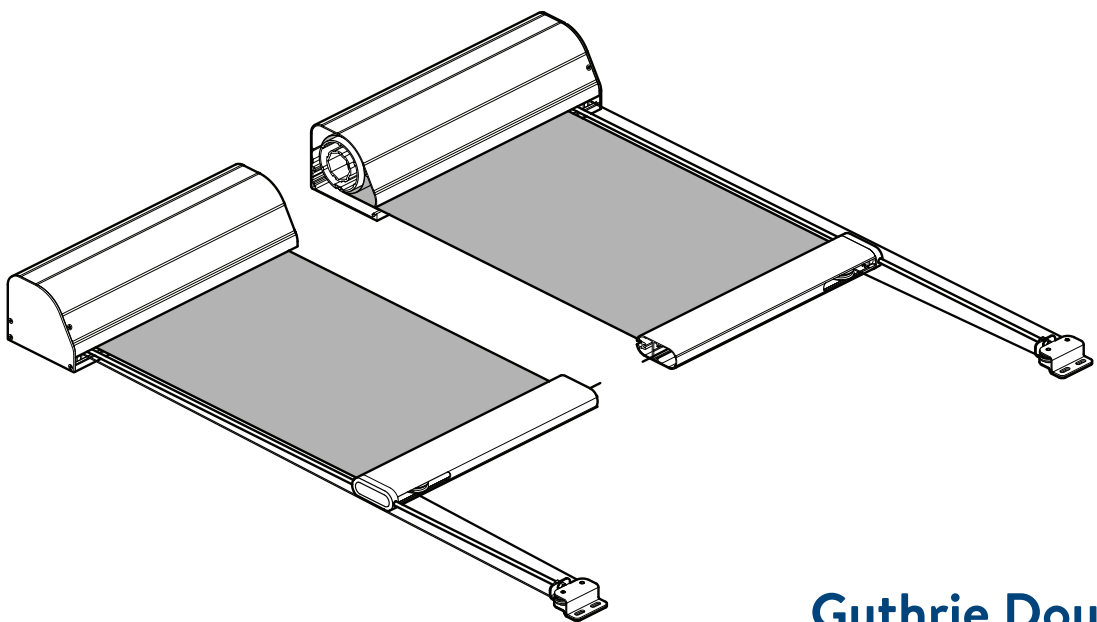
TESS 640 DATASHEET

ROD-GUIDED TENSION SYSTEM

Reliability and style. Any angle, any direction, anywhere.

The TESS 640 combines the functionality and reliability of a tension system with sharp modern aesthetics. Our single barrel drive mechanism keeps the fabric constantly under tension and produces a smooth, ultra-quiet travel. Slim stainless steel rods and a compact headbox make it easy to design into the glazing surround, inside or out, for near invisibility when retracted. Suitable for internal or external use, with unlimited colour finishes and a wide range of fabrics making it suitable for any project.

- CE marked wind class 2
- Single barrel system
- Any angle, any direction
- Steel rod guides
- Compact headbox



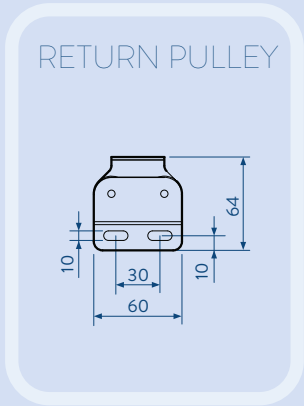
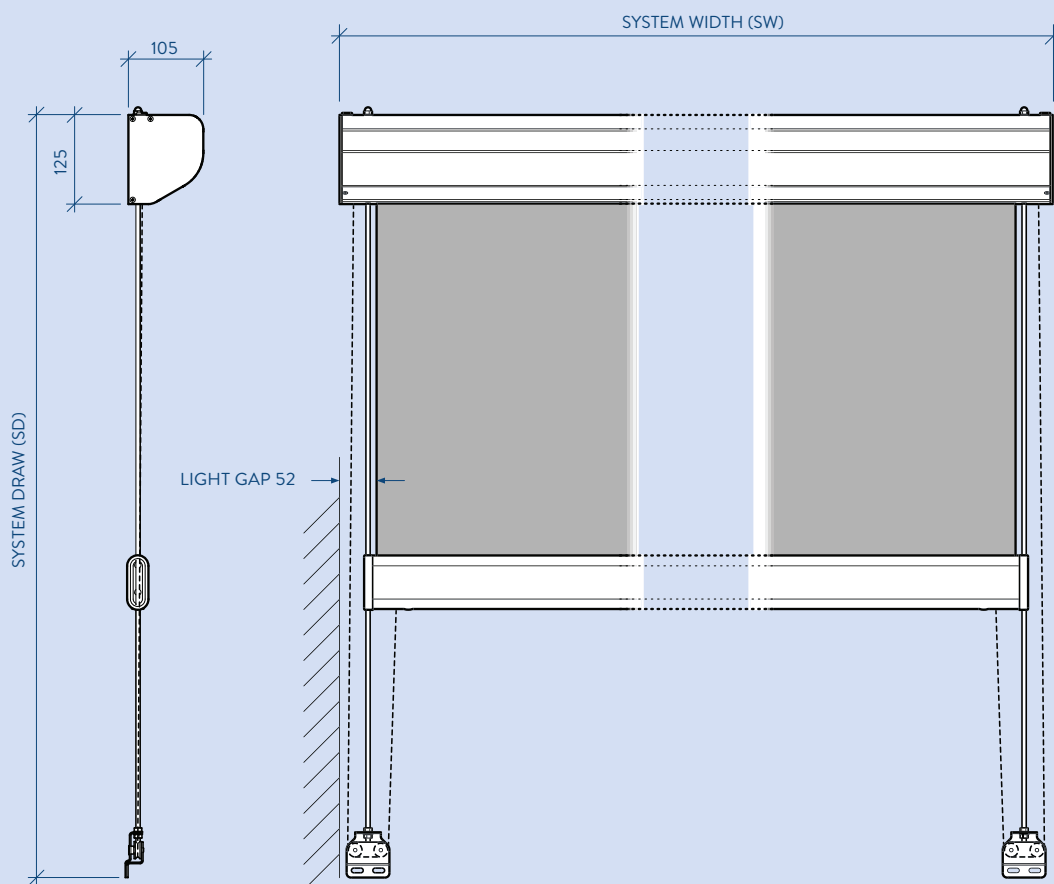
Guthrie Douglas

Guthrie Douglas Shading Tension Systems are distributed in Australia and New Zealand by Horiso®

Horiso®

T: +61 2 8755 4500 E: info@horiso.com.au
horiso.com.au

horiso®



KEYFACTS

Typical use	Skylights, façades
Shape	Rectangular
Running direction	Any
Guides	ø6mm steel rod
Width	650 mm - 3000 mm
Draw	≤3000 mm
Fabric area	≤9 m ²
Brackets	Aluminium
Finish	RAL Powder coat
Installation options	Top fix, back fix

TECHNICALINFO

Fabric tension	>100 N
Weight exc. fabric	~8 kg + 4 kg/m width
Fixing load	≤15 kg per bracket
Operating temp.	0 to 55 °C
Motor	9 Nm, 12 rpm
Electrical	230 V, 50 Hz, 120 W, 0.55A
	120 V, 60 Hz, 130 W, 0.98A
Max run time	4 min
Fabric speed	~3 m/min
Controls	Radio, Wired

