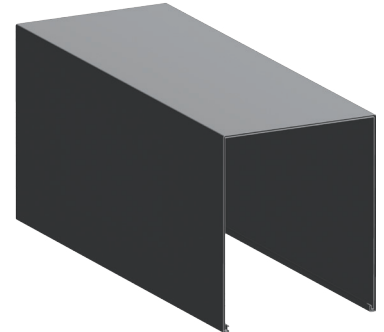


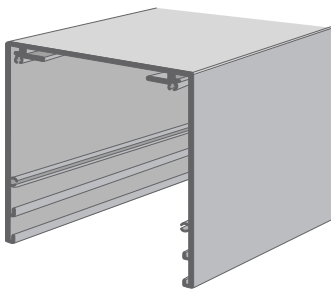
## Horiso Pelmet System

### Product Specification Sheet

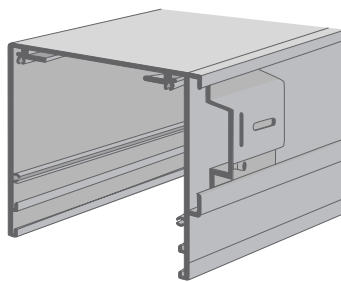
<b>Product</b>	Venetian Blind Pelmet
<b>Material</b>	Extruded aluminium
<b>Extrusion Length</b>	6000mm
<b>Finish</b>	Powder coated or anodised



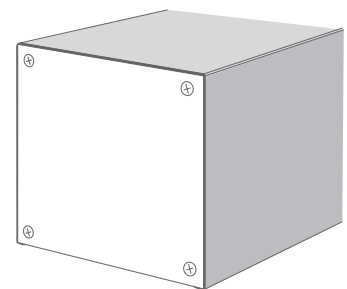
### Pelmet Variations



Top fix pelmet

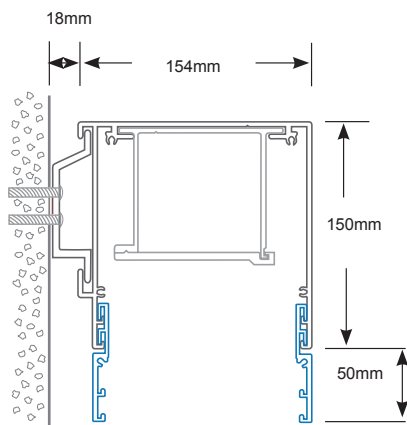


Face fix pelmet



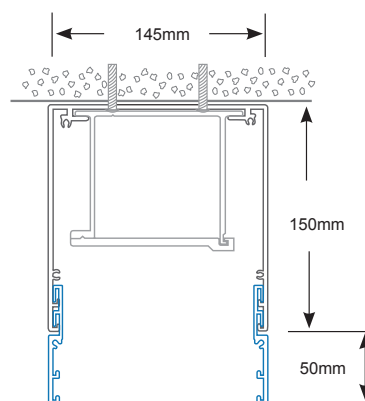
Top fix pelmet with end plate

### Face fix pelmet



■ : Extension

### Top fix pelmet



### Pelmet weight in Kgs

Extension Qty	Weight / metre
0	4.5
1	6.1
2	7.7
3	9.3
4	10.9



## Horiso Pelmet System

### Product Specification Sheet

Drop	Stacking Height	
	80 Slat	100 Slat
900 mm	156 mm	150 mm
1000 mm	160 mm	153 mm
1200 mm	168 mm	160 mm
1400 mm	176 mm	167 mm
1600 mm	184 mm	173 mm
1800 mm	192 mm	180 mm
2000 mm	200 mm	187 mm
2200 mm	208 mm	193 mm
2400 mm	216 mm	200 mm
2600 mm	224 mm	207 mm
2800 mm	232 mm	213 mm
3000 mm	240 mm	220 mm
3200 mm	248 mm	227 mm
3400 mm	256 mm	233 mm
3600 mm	264 mm	240 mm
3800 mm	272 mm	247 mm
4000 mm	280 mm	253 mm
4200 mm	288 mm	260 mm
4400 mm	296 mm	267 mm
4600 mm	304 mm	273 mm
4800 mm	312 mm	280 mm
5000 mm	320 mm	287 mm
5200 mm	328 mm	293 mm
5400 mm	336 mm	300 mm
5600 mm	344 mm	307 mm
5800 mm	352 mm	313 mm
6000 mm	360 mm	320 mm
6200 mm	368 mm	227 mm
6400 mm	376 mm	333 mm
6600 mm	384 mm	340 mm
6800 mm	392 mm	347 mm
7000 mm	400 mm	353 mm

#### Pelmet Extension Key

-  : No Extension
-  : 1 Extension
-  : 2 Extensions
-  : 3 Extensions
-  : 4 Extensions
-  : Custom Solution

