



Specialty Venetian Blinds Specification - Aluminium

System

Horiso Specialty Venetian Blinds - N80 / N100 / N150

Operation

External or Internal Installation

- Manual control by crank or pull cord (pull cord is for internal installation only. Available in White)
- Motorised control via switch, remote control or tablet/hand-held device.
- Automation control at varying degrees of customisation.



System Limitations

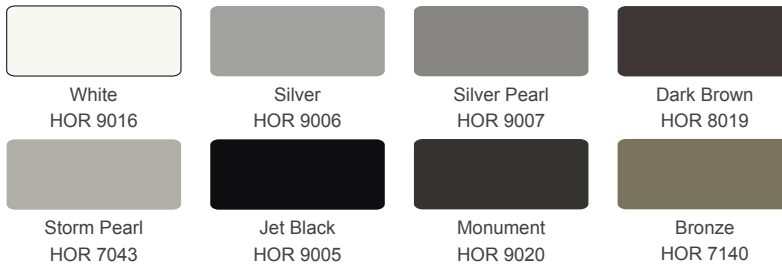
Asynchronous box motors

- Quiet and reliable lift/tilt motor with soft break. 110 or 240 volts
- UL certified motors
- Compatibility with home automation systems and building management systems
- Adjustable end limits

Slats

Slat Material: Crowned AA 5050 marine grade aluminium with chromate conversion undercoat.
Coating: High UV resistant (RUV3) PE (polyester) coil coating.

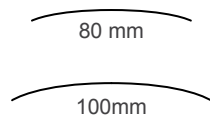
Colours:



Custom colours and timber slats available on request.

Slat Widths: 80 mm / 100mm

Slat Profile:



Slat Finish:



Solid Slat

Components

- Aluminium components:** 25 micron clear anodized
- Heavy duty cables:** Stainless steel cable with stainless steel mushroom head
- Lifting and tilting device:** High-strength, shrink-resistant and reinforced 100% Kevlar
- Termination Brackets:** L shapes face fix bracket
Bottom termination (M8 Swage)
Top hat bottom termination bracket

All steel components are stainless steel 316 marine grade

Installation

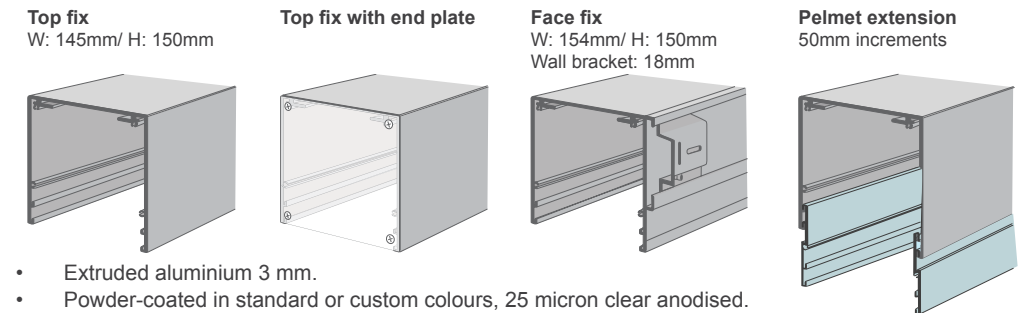
Internal or external installation.

- Installation into existing building recesses.
- Installation using top fix pelmet fitted onto building structure. Pelmet extensions are available.
- Installation using face fix pelmet fitted onto building structure. Pelmet extensions are available.
- Recommended use of a wind sensor for external installation for automatic retraction in high winds.

System Limitations

Maximum coverage per system: 45 sqm.
 Maximum width: 6m.
 Maximum drop: 7m / 9m (XL).
 A centre cable is required for widths over 3m for external installations and extreme high wind areas.

Pelmets / Fascias



- Extruded aluminium 3 mm.
- Powder-coated in standard or custom colours, 25 micron clear anodised.
- Pelmet/fascia extensions in 50 mm increments.
- Custom pelmet/fascia solutions.

For stacking height information, please refer to the Specialty Venetian Blind brochure

