

Installation Guide

Specialty Venetian Blinds

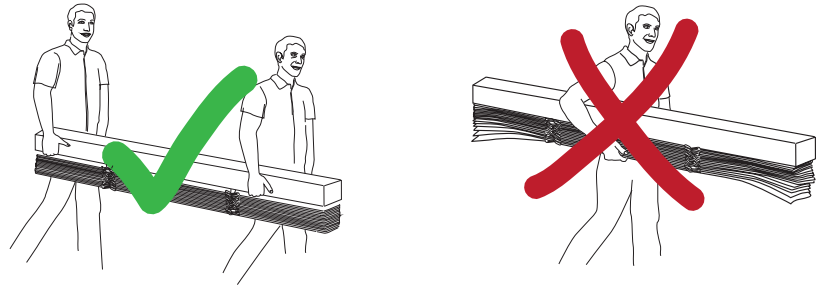
horiso®

1 - CARRYING / HANDLING

Unpacking SVB

Carry blind by head rail ONLY. Two installers should carry blind at ALL times.

Warning: Be careful using scissors or knife to unwrap blind, as you may seriously damage blind coating or components

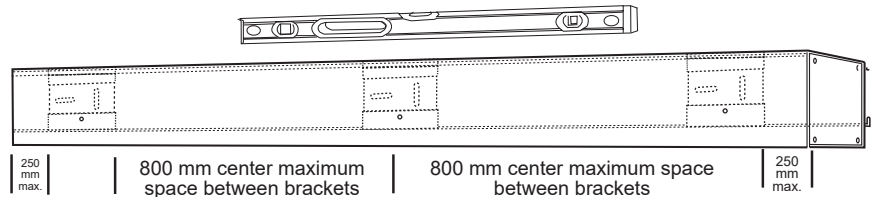


2 - PELMET SET OUT

Face fix pelmet

Pelmet wall brackets should be installed maximum 250 mm in from each end and spaced maximum 800 mm apart. Use a spirit level to ensure pelmet is level.

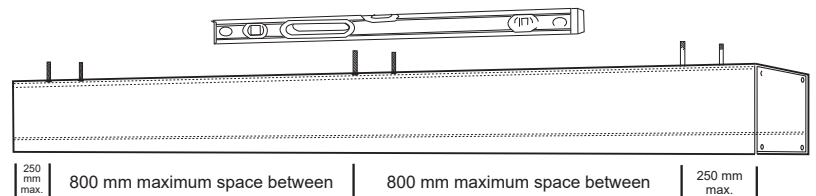
NOTE: For AK-G, remove pelmet end plate and slide in gate bracket, before installing pelmet.



Top fix pelmet

Fix pelmet according to width ensuring pelmet does not bow or distort. 2 centre lines are visible inside pelmet for drill positioning. (Depending upon particular situations, staggered fixing may be required).

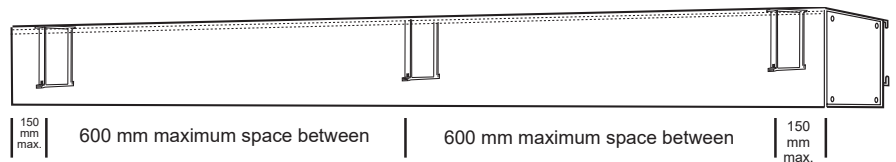
NOTE: For AK-G, remove pelmet end plate and slide in gate bracket, before installing pelmet. Ensure level.



3 - GATE BRACKETS SET OUT

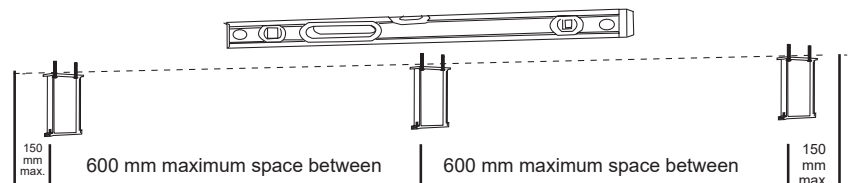
With pelmet

Gate brackets in Horiso pelmet or surface fixing. Insert gate bracket at either end of the blind maximum 150 mm in from each end and with a maximum width of 600 mm apart. **NOTE:** For AK-G, remove pelmet end plate and slide in gate bracket, before installing pelmet.



Surface fixing without pelmet

Fix gate bracket at either end of the opening maximum 150 mm in from each end and with a maximum width of 600 mm apart. Ensure level.

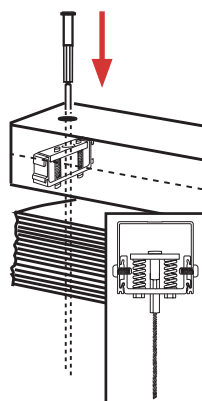


To determine the front/out-facing side of the blind locate the Horiso sticker on the right hand side, third slat from the bottom.

4A - INSERT SIDE CABLES

Insert supplied cable guide through access hole in top of head rail at both ends and thread cable through slat pack. Ensure mushroom head is inserted correctly on top of spring tension bracket. (Do not remove cable ties on tension bracket at this point.)

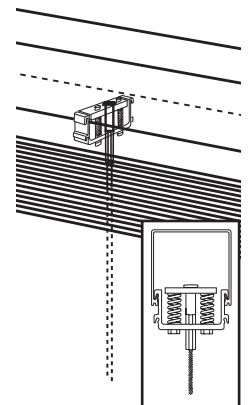
Ensure cables are running parallel with each other and check diagonal



4B - INSERT INTERMEDIATE CABLES

Insert supplied cable guide through spring tension bracket and thread through slat pack. Insert spring tension bracket into head rail by twisting, then turning until top lip of double spring bracket fits into bottom lip of the head rail.

NOTE: For AK-G, spring tension bracket is supplied installed. Install cable only. (Do not remove cable ties on tension bracket at this point.) Ensure all cables are running parallel.



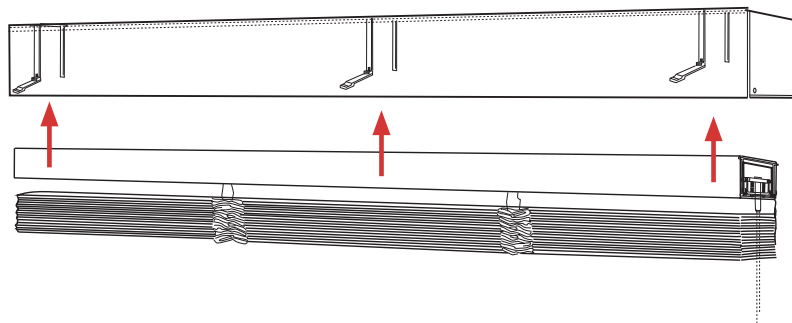
Installation Guide

Specialty Venetian Blinds

horiso®

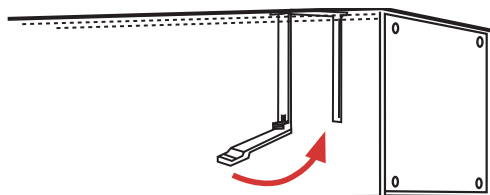
5 - INSTALL BLIND INTO PELMET

With the gate brackets in the opening position and by holding the right side of the blind by the head rail only, lift the head rail into position and secure gate brackets.



6 - CLOSE GATE BRACKETS

Close all gate brackets and tighten screws.



7 - TERMINATE

A Depending on type of termination install EITHER bracket, insert rampa screw, top hat OR concrete insert. (Cable guide MUST be plumb, locate termination via laser.)

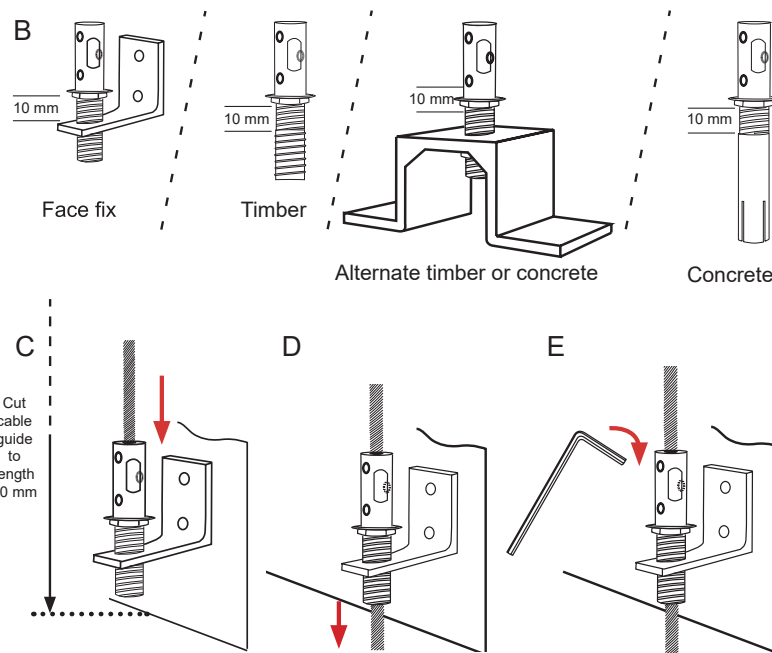
B Insert swage with 10 mm of thread showing as illustrated.

C Cut to length to underside of swage plus 10 mm and insert cable into swage.

D Use pliers if required on bottom stripped section of cable guide to ensure cable is in a straight position for tightening.

E Tighten the 3 grub screws while GENTLY pulling the cable down. (DO NOT use pliers on cable). Use a 2.5 mm high quality hexagon key wrench* to firmly tighten screws until recessed to a minimum of 1 mm.

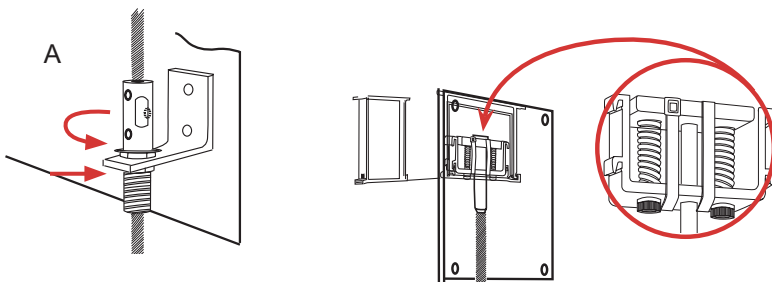
*(Allen key) for example Gedore, Belzer or Stahlwille.



8 - CUT CABLE TIES

A Tighten swage until the cable guide is rigid and lock off wall NUT. Trim any excess cable guide under swage.

B Cut cable ties off spring tension brackets in head rail, AFTER having terminated the cables to release tension.



Disclaimer: These leaflet instructions are a guide for professional installers only.

Motors: Refer to manufacturers instructions supplied with blind. Always set blind limits using the test lead.



T: +61 2 8755 4500
E: info@horiso.com.au
horiso.com.au