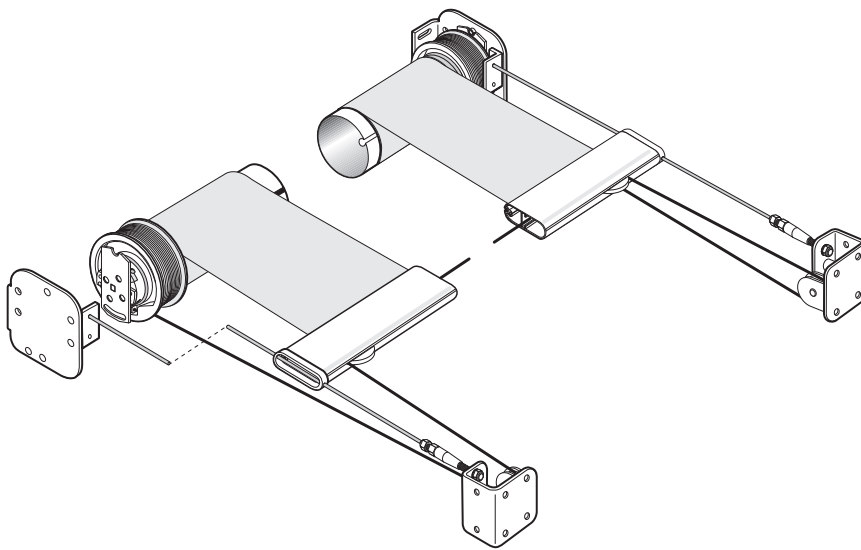


Internal Wire-Guided Tension System

Clean-cut styling to blend in with your building design

TESS140 is designed to deliver reliability, discretely with slim wire guides and flexible brackets which make it easy to design into the glazing surrounding it making it near invisible when retracted.



- Single barrel tension system
- Any angle, Any direction
- Clean-cut design
- Discrete wire guides
- Reliable and robust
- Various colour finishes & fabric options
- Smooth, quiet travel.

Key Facts

Typical Use

Atria, Skylights, Facades

Shape

Rectangular

Running Direction

Any

Guides

Ø5mm steel wire

Width

870 mm - 4000 mm

Draw

≤6500mm

Fabric Area

≤18 m²

Brackets

Aluminium

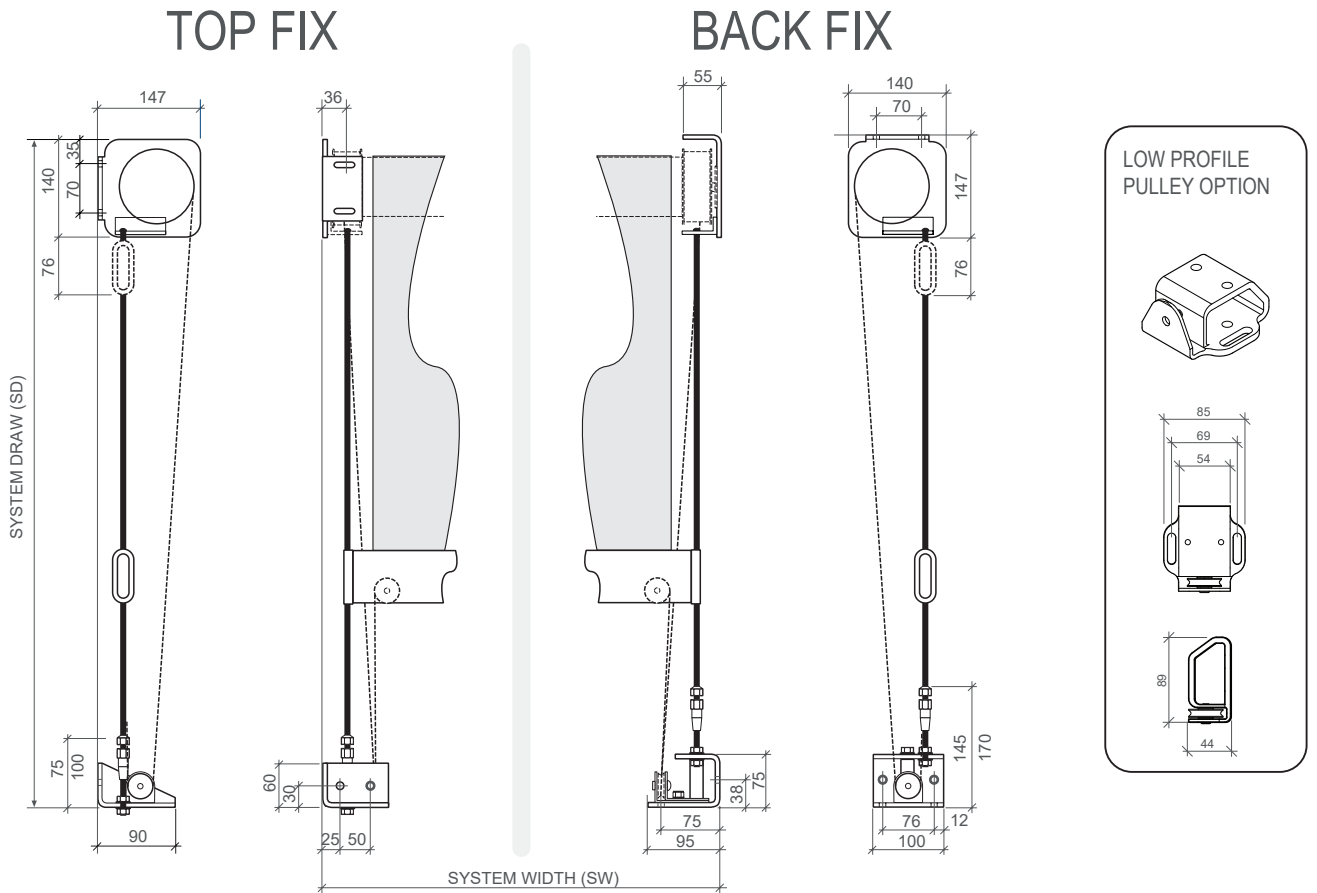
Finish

RAL Powder coat

Installation options

Top/Back/Side





Technical Information

Fabric Tension

>100 N

Weight exc. fabric

~9.5 kg + 4.2 kg/m width

Fixing Load

≤100 kg per bracket

Max run time

4 min

Fabric speed

~5m/ min

Operating Temp

0 to 55 °C

Motor

15Nm, 17rpm

Control

Radio/Wired

Electrical

230 V, 50 Hz, 140 W, 0.65A

120 V, 60 Hz, 130 W, 1.1A

