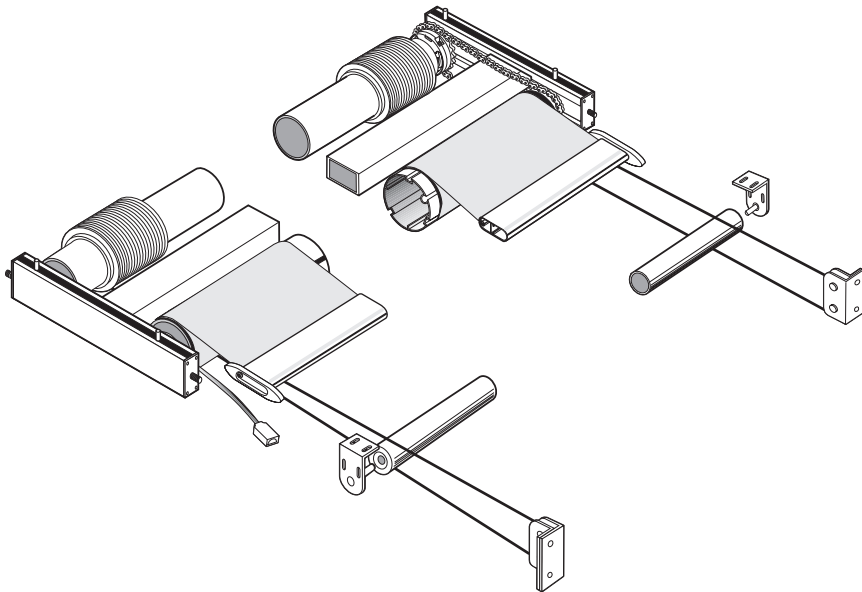


Extra-Large Internal Tension System

The strength you need to cover huge spaces

TESS200 is the only blind that can cover up to 60m² with a single mechanism and a single piece of fabric. Two barrels work together to deploy fabric and stabilise the blind using ultra-thin cables.



- Twin-barrel tension mechanism
- Any angle, Any direction
- Huge surfaces covered
- Curves and special shapes
- Reliable and robust
- Smooth travel

Key Facts

Typical Use

Facades, Atria

Shape

Rectangular/Trapezoidal

Running Direction

Any

Guides

None

Width

1300 mm - 4000 mm

Draw

≤18 000mm

Fabric Area

≤60 m²

Brackets

Aluminium

Relieving Rollers

Aluminium

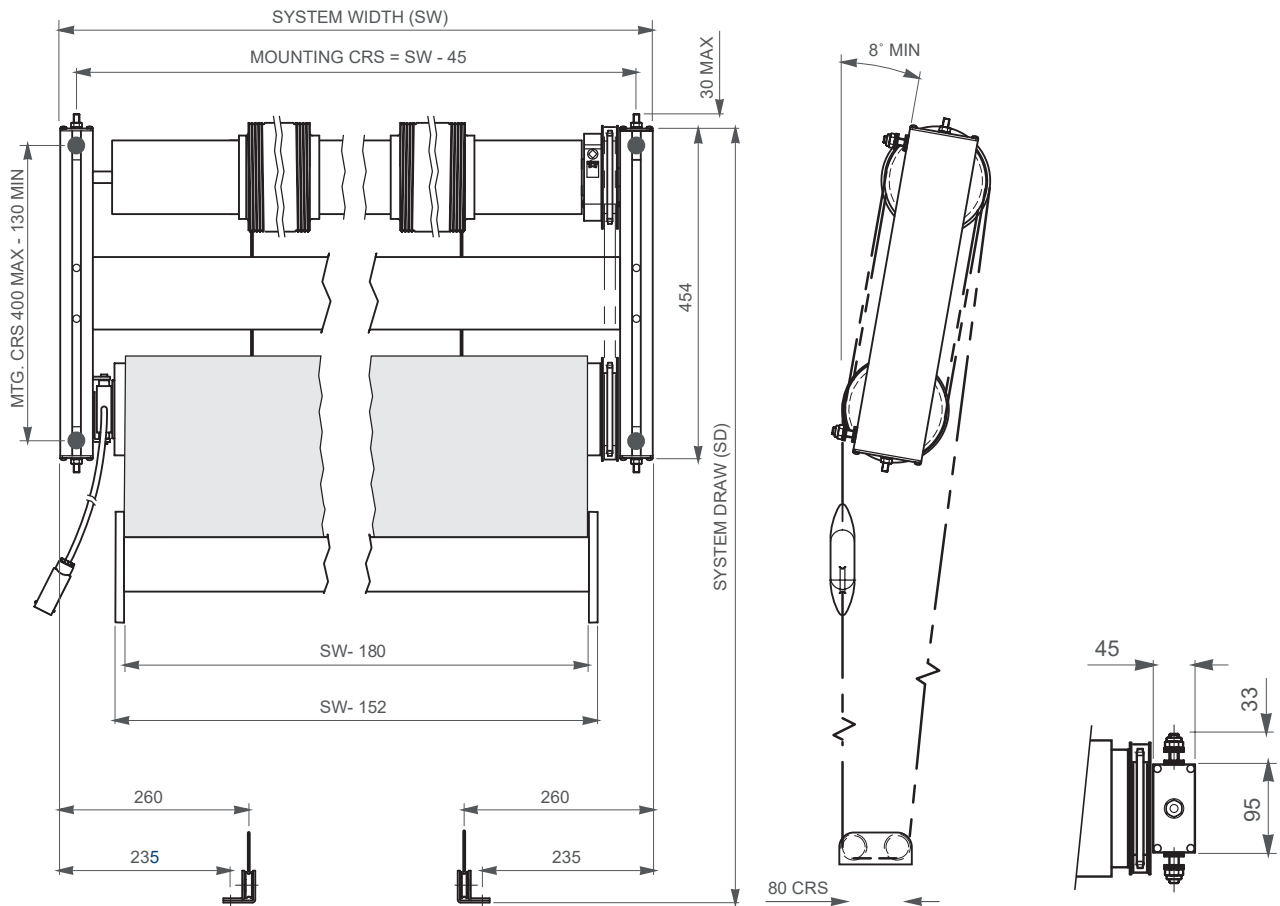
Finish

RAL Powder Coat

Installation Options

Top/Back/Side





Technical Information

Fabric Tension

>200 N

Weight exc. fabric

~32 kg + 11 kg/m width

Fixing Load

72 kg per bracket

Operating Temp

0 to 55 °C

Motor

35 Nm, 17rpm

Max run time

4 min

Fabric Speed

~7m/ min

Control

Radio/Wired

Electrical

230 V, 50 Hz, 240 W, 1.1A

120 V, 60 Hz, 230 W, 2.0A

