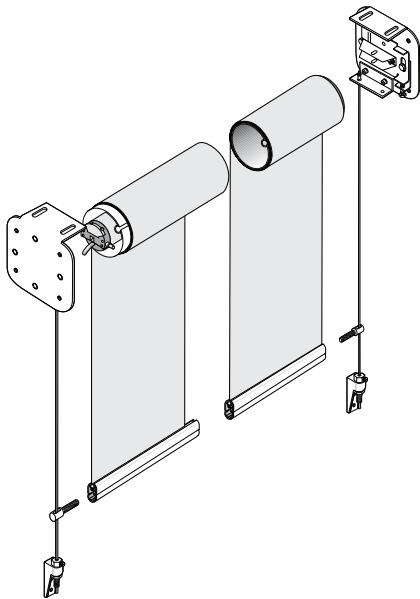


Large Internal Vertical Drop System

A vertical drop blind for large spaces, engineered for strength and stability

TESS308 is a reliable solution for when standard drop blinds are too small or too flimsy. The fabric is kept under light tension by a compact weighted hembar and stabilised with slim wire guides.



- Single barrel system
- Vertical Drop
- Motorised drive
- For very tall and wide glazing
- Reliable and robust
- Unlimited colour finishes and fabric options

Key Facts

Typical Use

Facades, Atria

Shape

Rectangular

Running Direction

Vertical Drop down

Guides

ø2.8mm steel wire

Width

718 mm - 4200 mm

Draw

≤6 000mm

Fabric Area

≤25 m²

Brackets

Aluminium

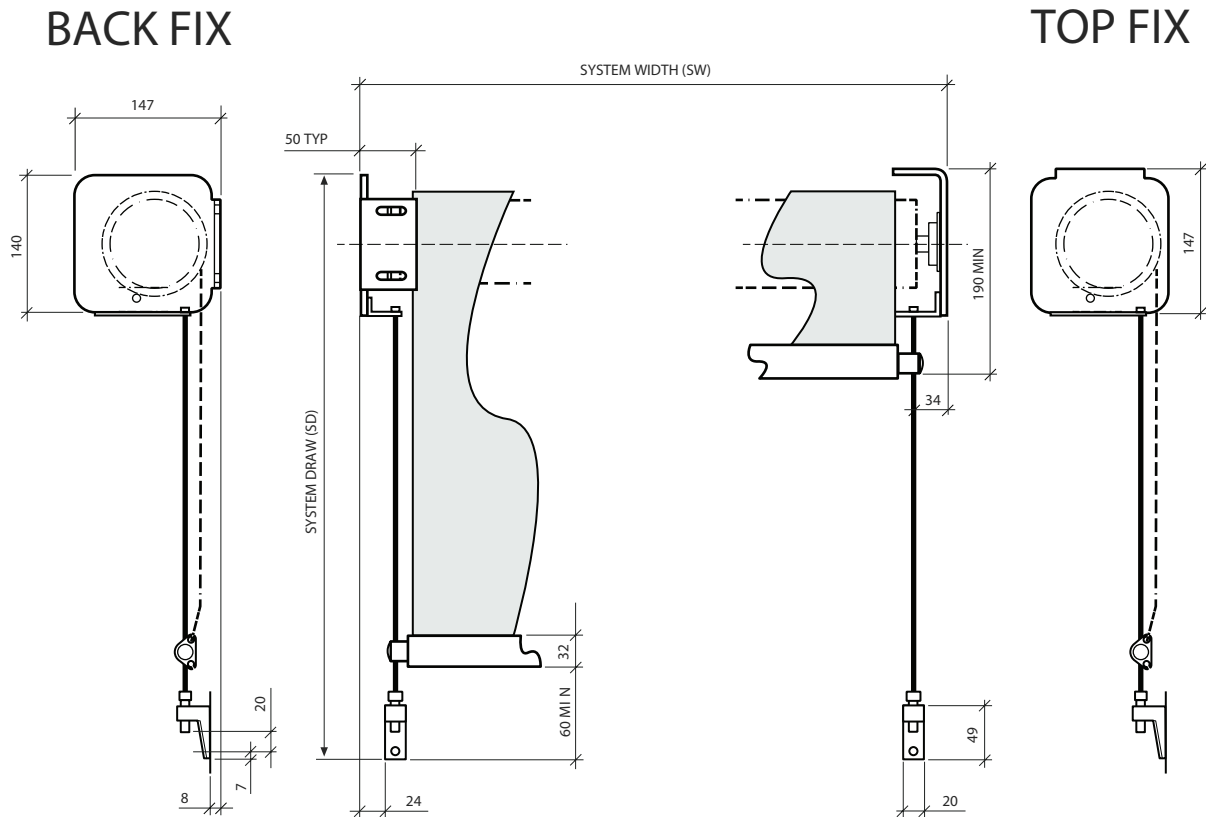
Finish

RAL Powder coat

Installation Options

Top/Back/Side





Technical Information

Fabric Tension

Low

Weight exc. fabric

~7 kg + 3 kg/m width

Fixing Load

16 kg per bracket

Operating Temp

0 to 55 °C

Motor

15 Nm, 17rpm

Max run time

4 min

Fabric Speed

~5 m/ min

Control

Radio/Wired

Electrical

230 V, 50 Hz, 140 W, 0.65A

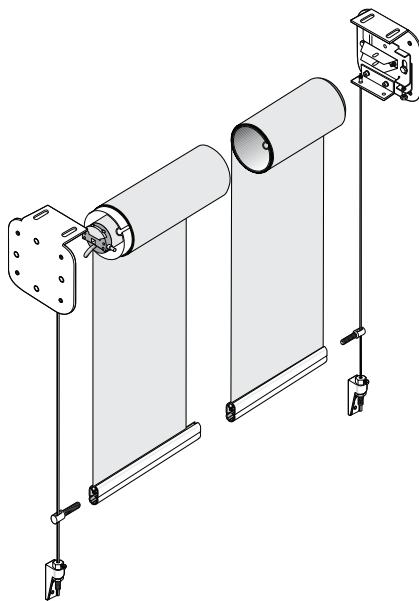
120 V, 60 Hz, 130 W, 1.1A



Large Internal Vertical Drop System

A vertical drop blind for large spaces, engineered for strength and stability

TESS312 uses a 127mm fabric barrel and a powerful motor to provide a reliable vertical drop solution for extra-large glazing. Fabric is kept under light tension by a compact weighted hembar and stabilised with slim wire guides.



- Single barrel system
- Vertical Drop
- Motorised drive
- For very tall and wide glazing
- Reliable and robust
- Unlimited colour finishes and fabric options
- Commonly used in commercial offices, shops, hotels and airports.

Key Facts

Typical Use

Facades, Atria

Shape

Rectangular

Running Direction

Vertical Drop down

Guides

ø2.8mm steel wire

Width

970 mm - 6000 mm

Draw

≤12 000mm

Fabric Area

≤72 m²

Brackets

Aluminium

Finish

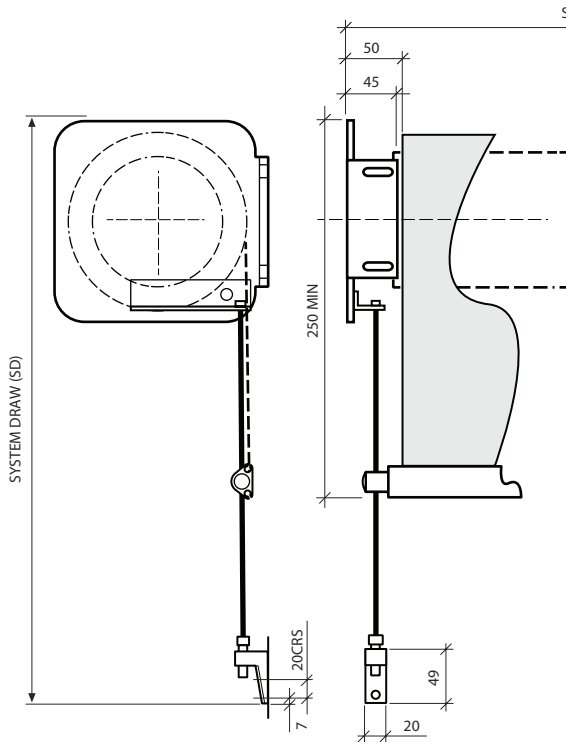
RAL Powder coat

Installation Options

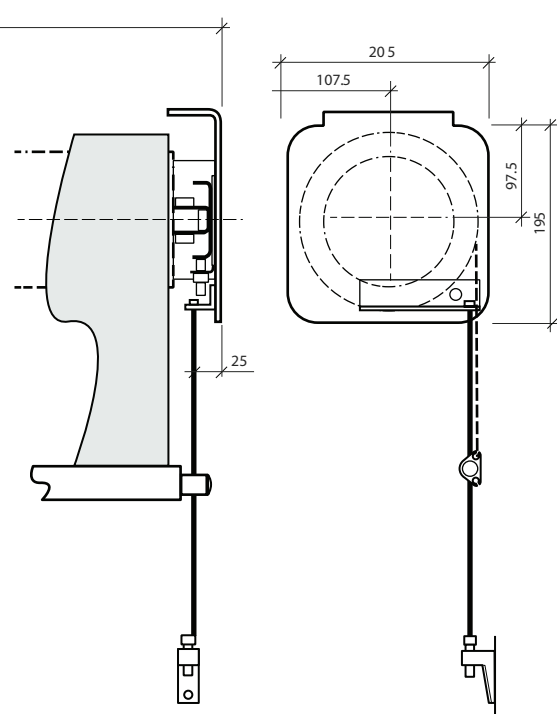
Top/Back/Side



BACK FIX



TOP FIX



Technical Information

Fabric Tension

Low

Weight exc. fabric

~9 kg + 3 kg/m width

Fixing Load

30 kg per bracket

Operating Temp

0 to 55 °C

Motor

35 Nm, 17rpm

Max run time

4 min

Fabric Speed

~7 m/ min

Control

Radio/Wired

Electrical

230 V, 50 Hz, 240 W, 1.1A

120 V, 60 Hz, 230 W, 2.0A

