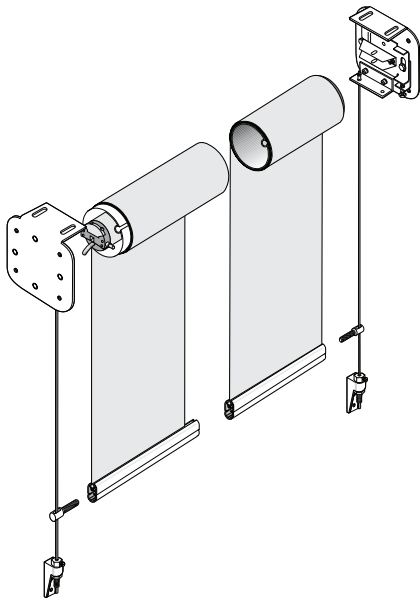


# Large Internal Vertical Drop System

A vertical drop blind for large spaces, engineered for strength and stability

TESS308 is a reliable solution for when standard drop blinds are too small or too flimsy. The fabric is kept under light tension by a compact weighted hembar and stabilised with slim wire guides.



- Single barrel system
- Vertical Drop
- Motorised drive
- For very tall and wide glazing
- Reliable and robust
- Unlimited colour finishes and fabric options

## Key Facts

### Typical Use

Facades, Atria

### Shape

Rectangular

### Running Direction

Vertical Drop down

### Guides

ø2.8mm steel wire

### Width

718 mm - 4200 mm

### Draw

≤6 000mm

### Fabric Area

≤25 m<sup>2</sup>

### Brackets

Aluminium

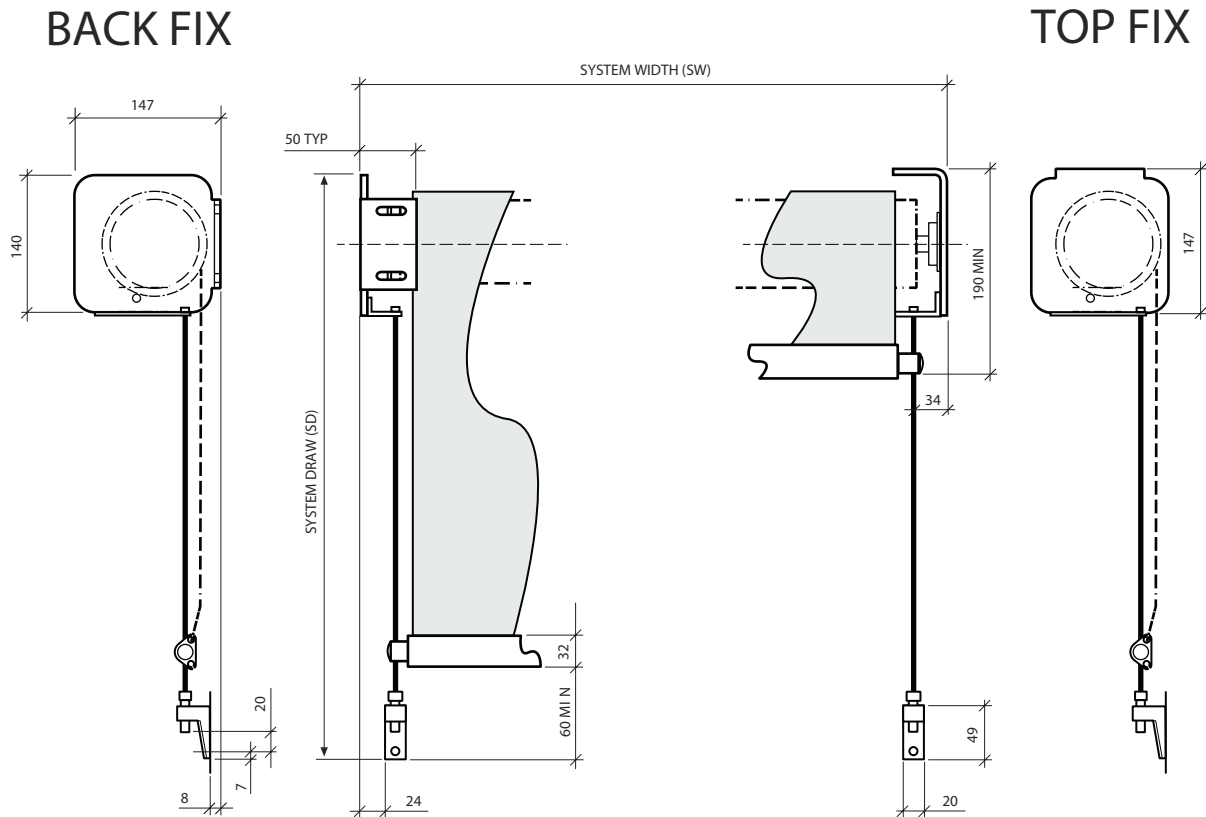
### Finish

RAL Powder coat

### Installation Options

Top/Back/Side





**Technical Information**

**Fabric Tension**

Low

**Weight exc. fabric**

~7 kg + 3 kg/m width

**Fixing Load**

16 kg per bracket

**Operating Temp**

0 to 55 °C

**Motor**

15 Nm, 17rpm

**Max run time**

4 min

**Fabric Speed**

~5 m/ min

**Control**

Radio/Wired

**Electrical**

230 V, 50 Hz, 140 W, 0.65A

120 V, 60 Hz, 130 W, 1.1A

