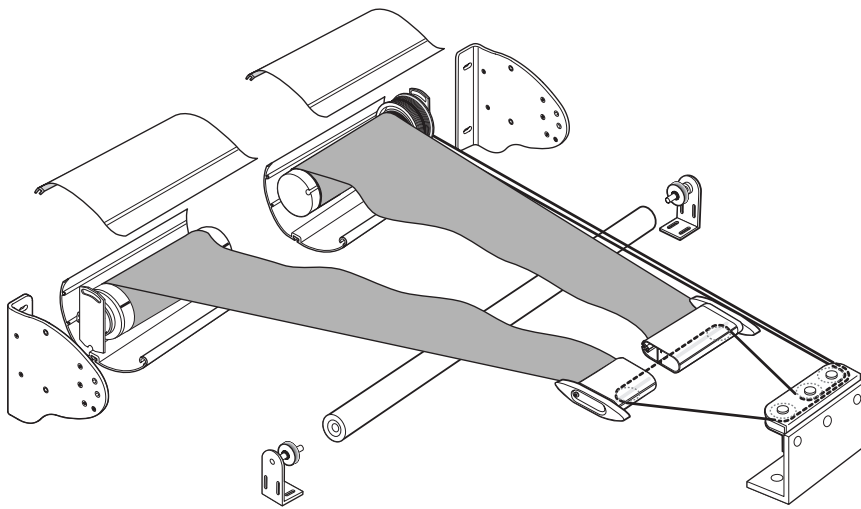


External Triangular Tension System

Tried and Tested Solution for Triangular Glazing

TESS401 covers corners and right-angled triangles and can even follow curves with the use of relieving rollers.



- Protective headbox
- Single barrel tension system
- Angles and curves
- 90° triangles and corners
- Reliable and robust
- Smooth, quiet travel.

Key Facts

Typical Use

Flat, curved or sloped glazing

Shape

Right angled triangle

Running Direction

Any

Guides

None

Width

780 mm - 4000 mm

Draw

≤5000mm

Fabric Area

≤9 m²

Brackets

Aluminium

Relieving Rollers

Aluminium

Finish

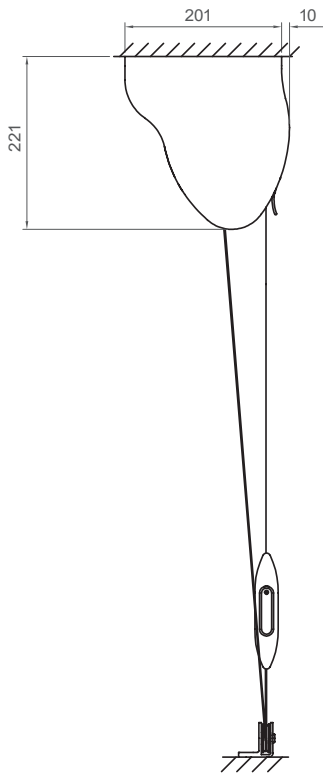
RAL Powder Coat

Installation Options

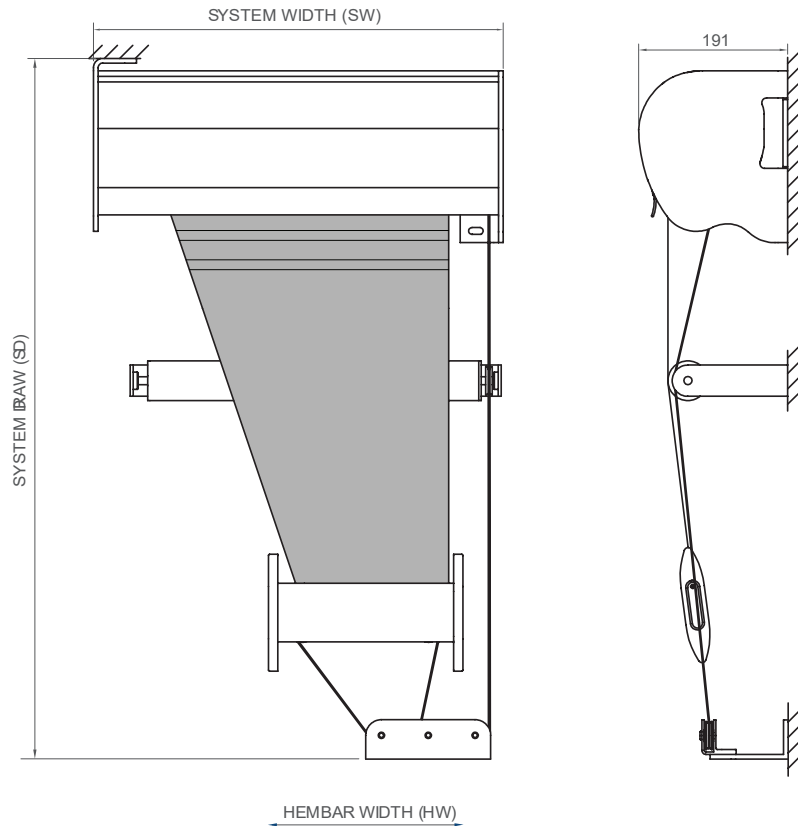
Bottom/Back



BACK FIX



BOTTOM FIX



Technical Information

Fabric Tension

>100 N

Weight exc. fabric

~12.5 kg + 10.2 kg/m width

Fixing Load

≤36 kg per bracket

Operating Temp

0 to 55 °C

Motor

15 Nm, 17rpm

Max run time

4 min

Fabric Speed

~5 m/min

Control

Radio/Wired

Electrical

230 V, 50 Hz, 140 W, 0.65A

120 V, 60 Hz, 130 W, 1.1A

