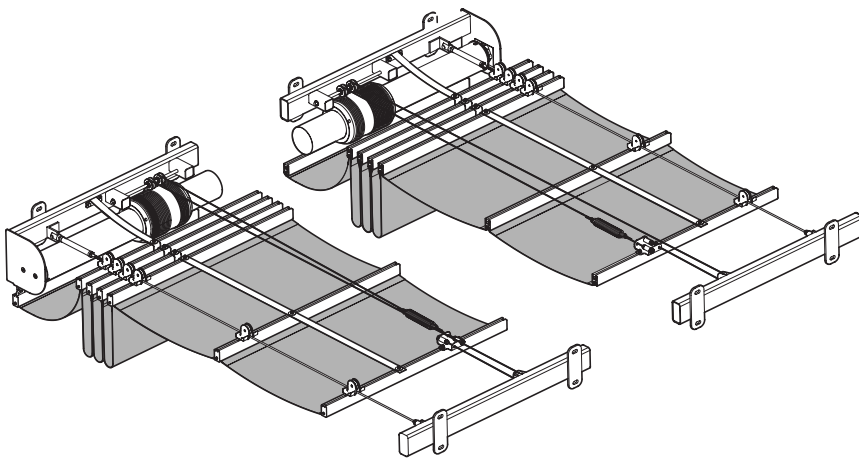


Internal and External Pergola System

Horizontal terrace and atrium shading without the bulky supporting structure

TESS512 covers up to 100m² with a single mechanism, leaving just slim support cables behind when retracted. This is a practical solution for giant spaces where style, reliability and durability are all essential.



- Fabric panel system
- No side fixings required
- Slim support cables
- Motorised drive
- Reliable and robust
- Choice of flat or festooned fabric panels
- Unlimited colour finishes

Key Facts

Typical Use

Glazed roofs/Plazas/Terraces

Shape

Rectangular

Running Direction

Horizontal

Guides

ø6mm stainless steel wire

Width

2000 mm - 6000 mm

Draw

≤18 000mm

Fabric Area

≤100 m²

Brackets

Coated Steel

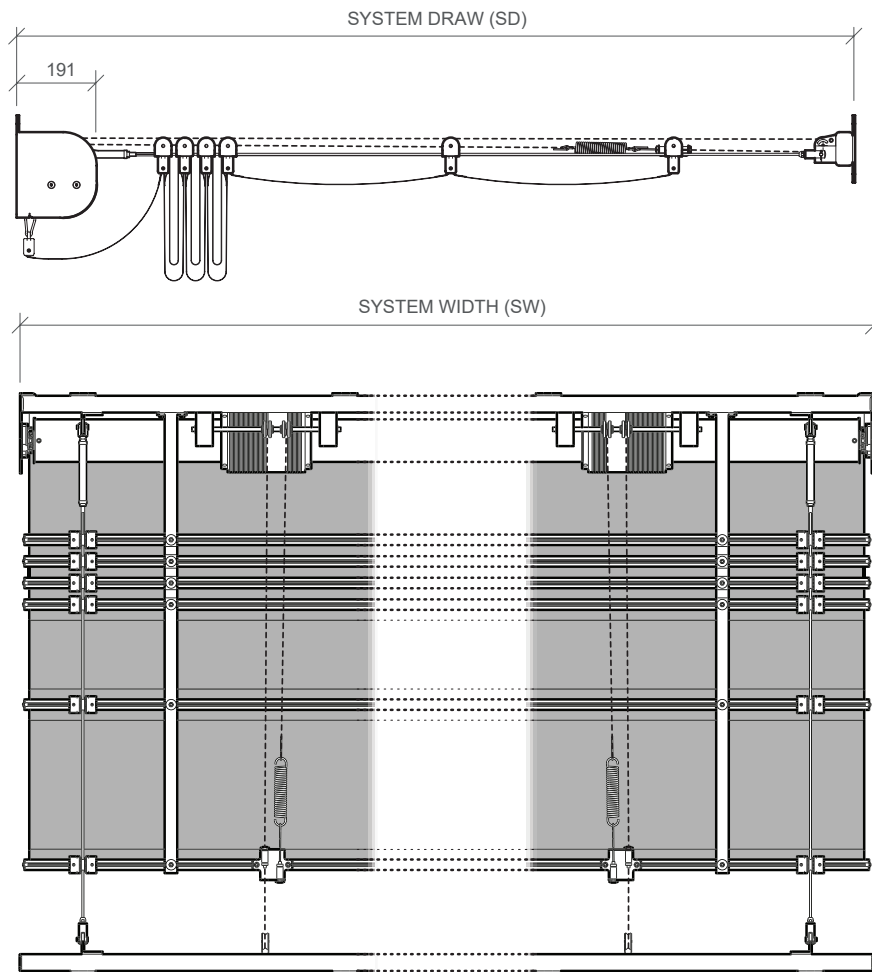
Finish

RAL Powder Coat

Installation Options

Back





Technical Information

Fabric Tension

Low

Weight exc. fabric

~55 kg + 27 kg/m width + 6.4 kg/m draw

Fixing load

≤100 kg per cable (x3)

Operating temp.

0 to 55 °C

Motor

35 Nm, 17rpm

Max run time

4 min

Fabric Speed

8.5 m/min

Control

Radio/Wired

Electrical

230 V, 50 Hz, 240 W, 1.1A

120 V, 60 Hz, 230 W, 2.0A

