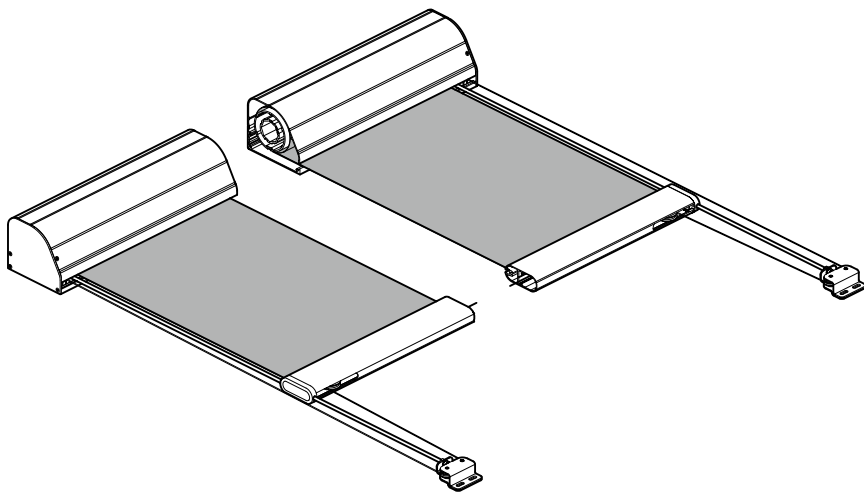


# Rod-Guided Tension System

Reliability and Style

The TESS640 combines the functionality and reliability of a tension system with sharp modern aesthetics. Suitable for internal or external use.



- CE marked wind class 2
- Single barrel system
- Any angle, any direction
- steel rod guides
- compact headbox
- Wide range of fabrics and colour finish options
- Slim stainless steel rods and a compact headbox

## Key Facts

### Typical Use

Skylights, Facades

### Shape

Rectangular

### Running Direction

Any

### Guides

ø6m steel rod

### Width

650 mm - 3000 mm

### Draw

≤3000mm

### Fabric Area

≤9 m<sup>2</sup>

### Brackets

Aluminium

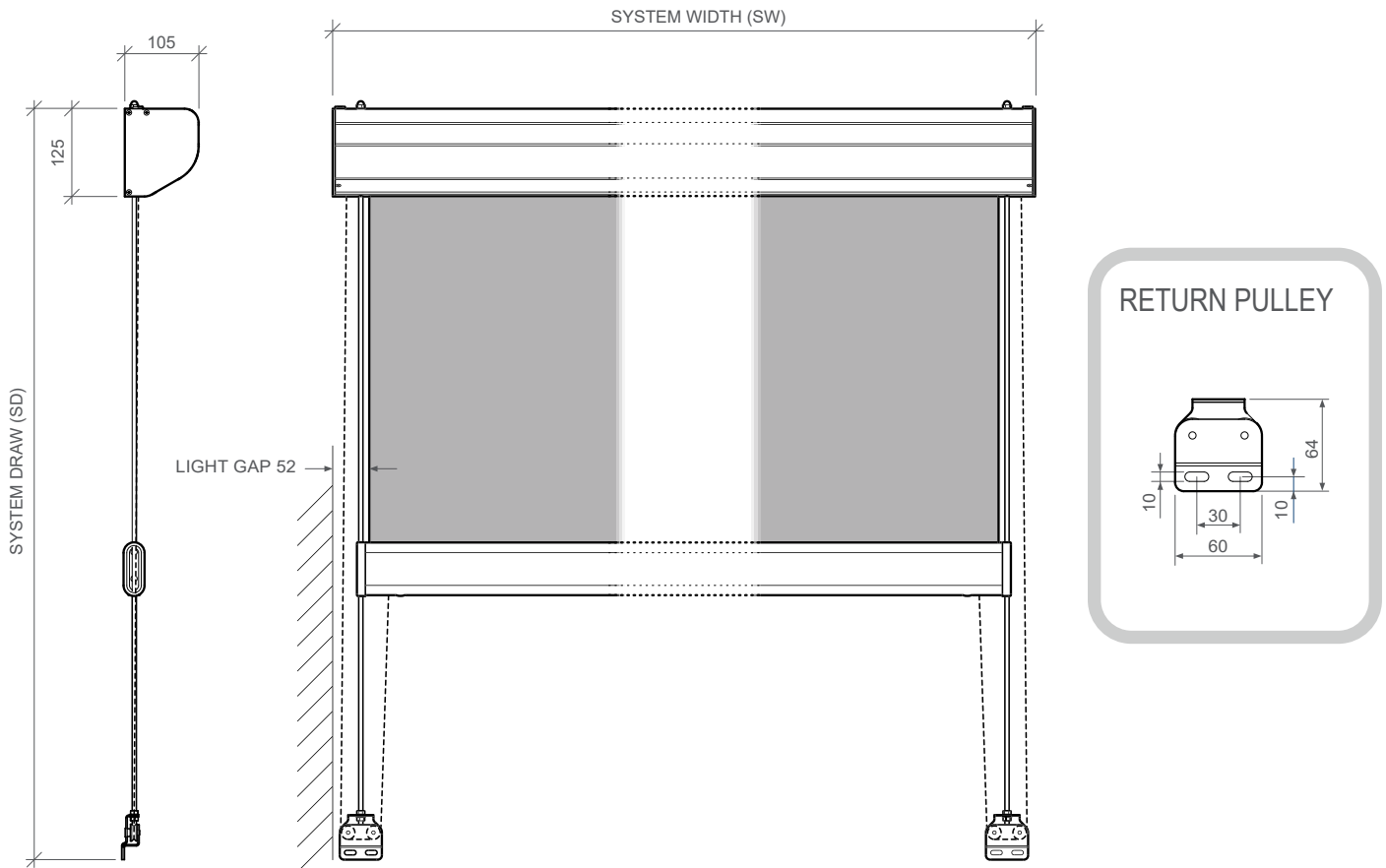
### Finish

RAL Powder Coat

### Installation Options

Top Fix/Back Fix





### Technical Information

**Fabric Tension**

>100N

**Weight exc. fabric**

~8 kg + 4 kg/m width

**Fixing load**

≤15 kg per bracket

**Operating temp.**

0 to 55 °C

**Motor**

9 Nm, 12 rpm

**Max run time**

4 min

**Fabric Speed**

~3 m/min

**Control**

Radio/Wired

**Electrical**

230 V, 50 Hz, 120 W, 0.55A

120 V, 60 Hz, 130 W, 0.98A

